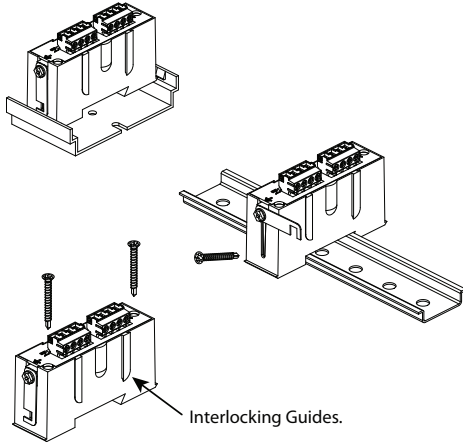


Installation and wiring should be performed by qualified personnel only - Equipment damage and/or malfunction may result from improper installation. Remove all power from the system until the installation is complete and ready for testing. All work of any kind shall be performed to meet the requirements of any and all local, state and federal codes and/or standard set by the authority having jurisdiction.

This Package contains all necessary parts to install and mount using screw mounting. Snap Track or Din Rail must be aquired seperately.



Mechanical Installation:

A- Snap Track

- 1: Securely mount Snap Track SPD device and premise wiring. Each SPD takes apx. 1" of space of Snap Track.
- 2: Push SPD(or array of SPDs) onto Snap Track until positive lock is achieved.

B- Din Rail

- 1: Hook angled corner of device (or array of SPDs) over edge din rail and push SPD(s) flat down on Din Rail.
- 2: Locate the tip of the provided 11/4 drillscrew to the bottom of screw channel. Each SPD takes apx. 1" of space on rail.
- 3: Screw slowly at slight angle downward until unit is secure to Din Rail.

C- Surface

- 1: Place SPD (or array of SPDs) flat to appropriate mounting surface.
- 2: insert and secure the provided two 2" drillscrews through mounting holes.

Model	VOLTS RMS
T05-DG	5
T12-DG	12
T24-DG	24
T32-DG	32
T36-DG	36
T48-DG	48
T70-DG	70
T90-DG	90
T120-DG	120

Model	VOLTS RMS
T05-DGP	5
T12-DGP	12
T24-DGP	24
T32-DGP	32
T36-DGP	36
T48-DGP	48
T70-DGP	70
T90-DGP	90
T120-DGP	120

Electrical Installation:

- 1: Disconnect power to circuit.
- 2: Connect the incoming power to the "IN" terminals and the device to be protected to the "OUT" terminals. (in series)
- 3: When possible, allow 1 to 3 meters (3 to 9 ft.) of distance between SPD and device being protected to allow time for SPD to react to surge.
- 4: The SPD must be connected to earth ground. Mount only one device per. pair of terminals to prevent different system ground potentials.
- 5: When all conections are made, re-connect power.

