

PRODUCT SPECIFICATION

Cook's Brand Flex Trays

features

Models: 630-335, 630-437



Cook's Brand

Products designed for the toughest environments

STANDARD FEATURES

ENHANCED SECURITY: Made of FDA approved silicone that is strong enough to twist and bend and cannot be broken and sharpened into a weapon.

EASY TO CLEAN: The Flex Trays are dishwasher safe and naturally stain resistant and will not retain odors, making them easy to clean.

WITHSTANDS EXTREME TEMPERATURES: Temperature rating of -40 to 446 F.

WARRANTY: The Flex Trays are backed up by a two year warranty against manufacturing defects.

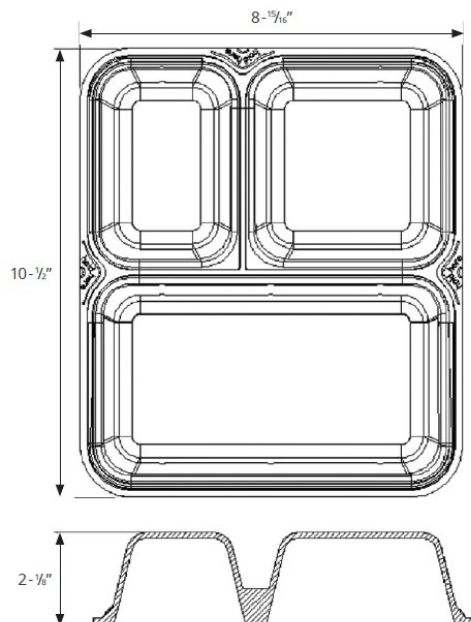
OPTIONAL LID: The three and four compartment flex trays have a clear tray lid that is sold separately.

COLORS: Trays available in brown, brown and clear lids sold separately.

APPROVALS: NSF approved, FDA Approved, ANSI Standard #36 for direct food contact.

Specifications

Item Number	Compartments	Case Pack	Shipping Class	Dimensions	Weight
630-335	3	12/cs	125	8-15/16" L x 10-1/2" W x 2-1/8" D	12 lbs.
630-437	4	12/cs	125	9" L x 10-1/2" W x 2-1/8" D	12 lbs.



Compartment Sizes

- 1 - Average capacity size 32 oz
- 2 - Average capacity size 16 oz
- 10 - Average capacity size 10 oz
- 1 - Average capacity size 8 oz
- 1 - Flatware