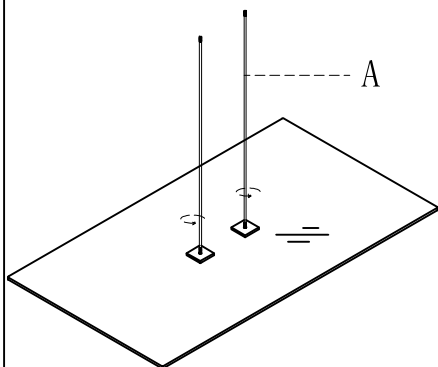


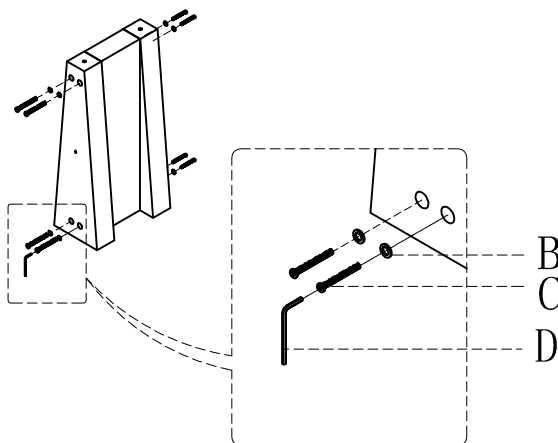
ASSEMBLY INSTRUCTION

Item name: HEKA Model number: G5221 Table

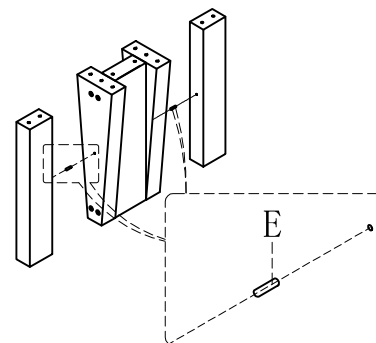
STEP1



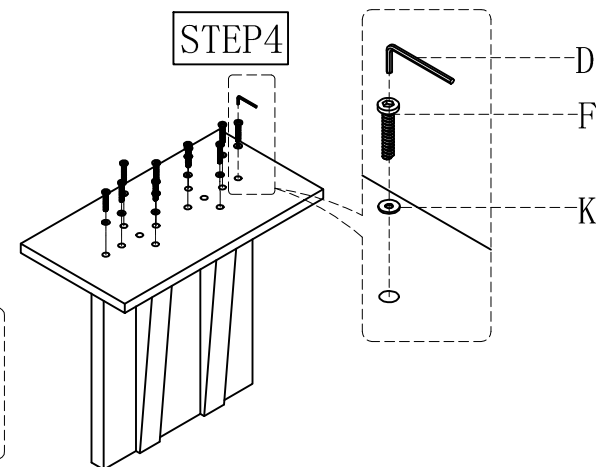
STEP2



STEP3

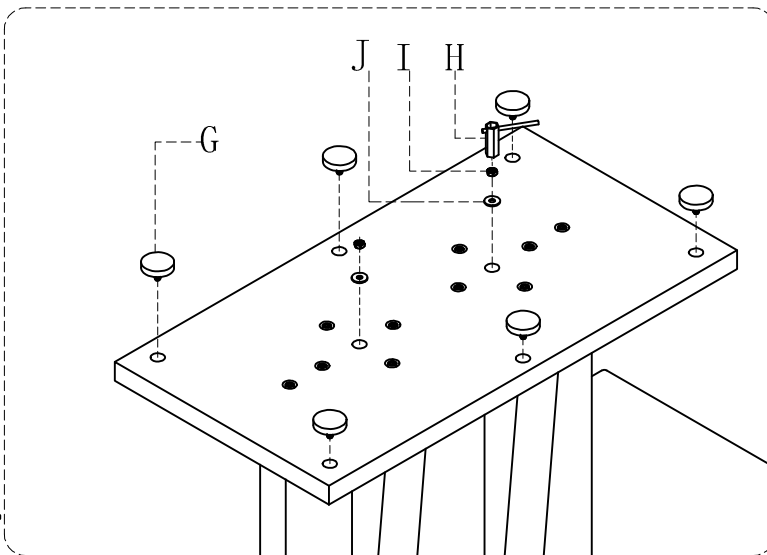
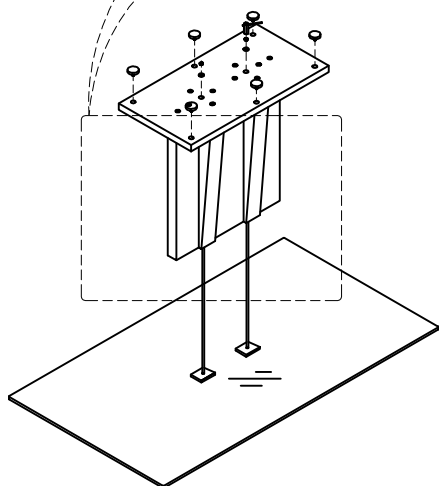


STEP4

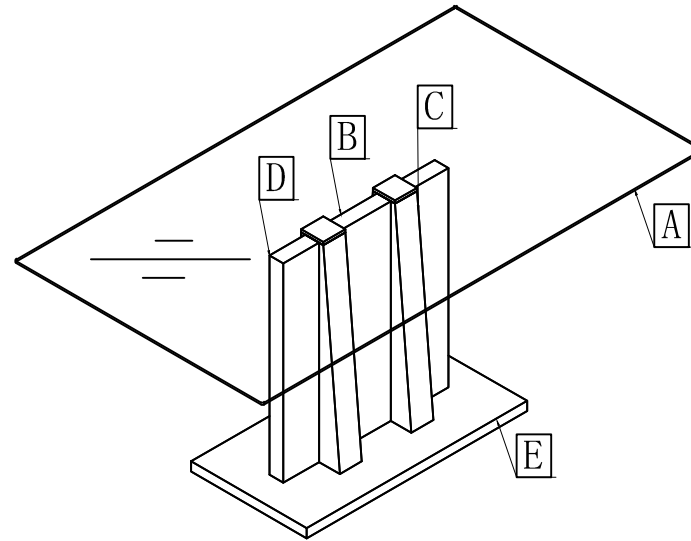


STEP5

ATTENTION: TWO PEOPLE ARE NECESSARY FOR PICKING UP & SETTING THE TABLE BASE ON THE GLASS.



A		2Pcs	M10*725
B		8Pcs	Φ8
C		8Pcs	M8*85
D		1Pc	5mm
E		2Pcs	Φ8*30
F		10pcs	M8*35
J		2Pcs	Φ10
H		1Pc	17mm
I		2Pcs	M10
G		6Pcs	Φ50/M8
K		10Pcs	Φ8



	Part Description	Quantity
A	TOP Glass	1
B	Leg 1	1
C	Leg 2	2
D	Leg 3	2
E	Stainless base	1