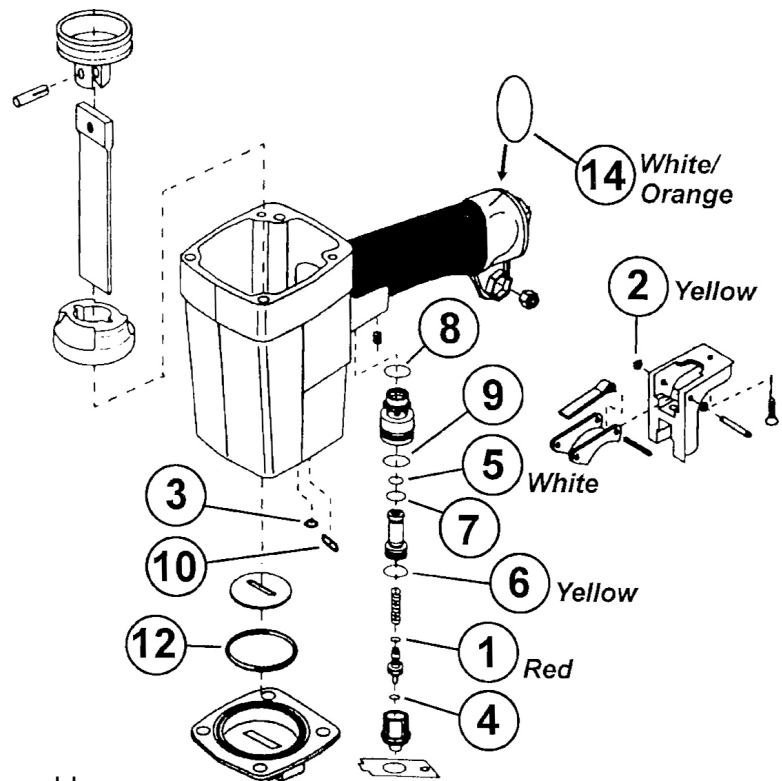
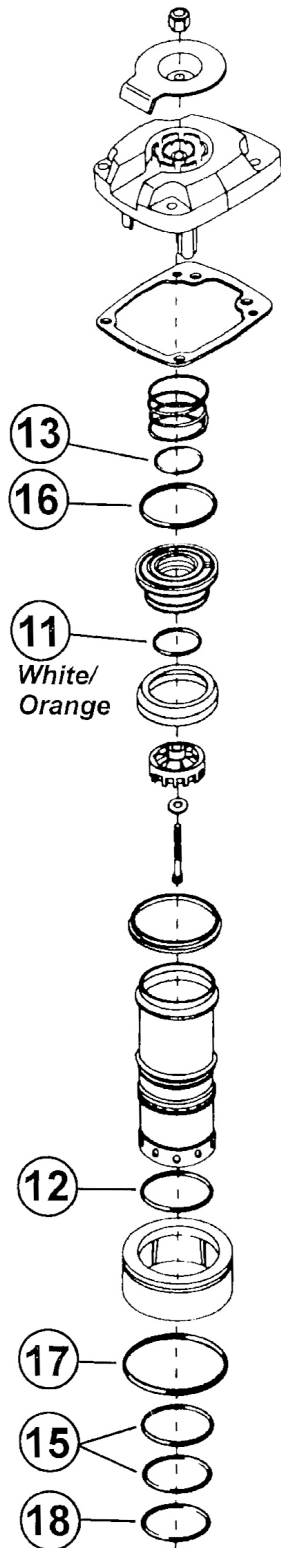


RELIABILITY™

Provin

Contents of O-Ring Kit KT-DF-174E

Key Number	Quantity	Performance Provin, Inc.		Equivalent Duo-Fast® Part Numbers		
		Part Number	Color Code			
1	1	OR-PP-132	Red	AA-227		OR-004-70L
2	2	OR-PP-134	Yellow	KN-100-1		OR-005-70L
3	1	OR-PP-140		MS-100-2	6688	OR-008-70L
4	1	OR-PP-142		CA-100-1		OR-009-70L
5	1	OR-PP-144B	White	AA-29		OR-010-85N
6	1	OR-PP-146B	Yellow	AA-143		OR-011-90N
7	1	OR-PP-148		CA-100-5		OR-012-70L
8	1	OR-PP-152		JA-100-1		OR-014-70N
9	1	OR-PP-156		XH-100-4		OR-016-70P
10	1	OR-PP-164		AD-17		OR-020-70N
11	1	OR-PP-176E	White / Orange	KW-100-1		OR-026-80N
12	2	OR-PP-186		DA-200-5		OR-031-70N
13	1	OR-PP-366		RN-100-3		OR-121-70L
14	1	OR-PP-380A	White / Orange	RN-100-8		OR-128-60N
15	2	OR-PP-386		CA-100-4		OR-131-70L
16	1	OR-PP-388		CA-100-9		OR-132-70N
17	1	OR-PP-402		CA-100-2		OR-139-70L
18	1	OR-PP-564		RN-100-7		OR-220-70N



*Generously grease all O-rings at time of assembly

Note: Read and understand the safety information printed on the reverse side before repairing any tools.
 Nota: Lea y comprende la información de seguridad impresa al reverso antes de reparar cualquier herramienta.

6/14/05

Exploded View and O-ring List for
 BOSTITCH RNS1748R & RNS-1748I

VL-DF-26

CAUTION**CAUTION****CAUTION**

ALWAYS WEAR SAFETY GLASSES WITH SIDE SHIELDS WHEN USING PNEUMATICALLY OPERATED FASTENER DRIVING TOOLS

NEVER POINT THE TOOL AT YOURSELF OR ANYONE ELSE

NEVER BYPASS OR REMOVE ANY SAFETY DEVICE

ALWAYS FOLLOW THE ORIGINAL MANUFACTURE'S SAFETY AND SERVICE INSTRUCTION

NEVER ATTEMPT TO SERVICE OR REPAIR A PNEUMATICALLY OPERATED TOOL WITH THE COMPRESSES AIR LINE CONNECTED TO THE TOOL

NEVER LEAVE A PNEUMATICALLY OPERATED TOOL UNATTENDED WITH THE COMPRESSES AIR LINE CONNECTED

ALWAYS FOLLOW THE ORIGINAL TOOLS MANUFACTURE'S DISASSEMBLY, ASSEMBLY, AND TOOL INSPECTION PROCEDURES

PRECAUTION**PRECAUTION****PRECAUTION**

SIEMPRE USE LENTES DE SEGURIDAD CON PROTECTORES LATERALES AL USAR HERRAMIENTAS DE IMPULSO CON SUJETADOR DE OPERACIÓN NEUMÁTICA

NUNCA APUNTE A SI MISMO O A OTRA PERSONA CON LA HERRAMIENTA

NUNCA EVITE O RETIRE ALGÚN DISPOSITIVO DE SEGURIDAD

SIEMPRE SIGA LAS INSTRUCCIONES DE SEGURIDAD Y SERVICIO DEL FABRICANTE ORIGINAL DE LA HERRAMIENTA

NUNCA INTENTE HACER MANTENIMIENTO O REPARAR UNA HERRAMIENTA DE OPERACIÓN NEUMÁTICA CON LA LINEA DE AIRE COMPRIMIDO CONECTADA A LA HERRAMIENTA

NUNCA DEJE SIN ATENCION UNA HERRAMIENTA DE OPERACIÓN NEUMÁTICA CON LA LINEA DE AIRE COMPRIMIDO CONECTADA

SIEMPRE SIGA LOS PROCEDIMIENTOS DE DESMONTAJE, MONTAJE, E INSPECCIÓN DEL FABRICANTE ORIGINAL DE LA HERRAMIENTA

O-Ring Kit

KT-DF-174E

For use on the following tool models.
Kit contains all O-Rings in these tools.

DUO-FAST

RNS-1748I

RNS-1748R

