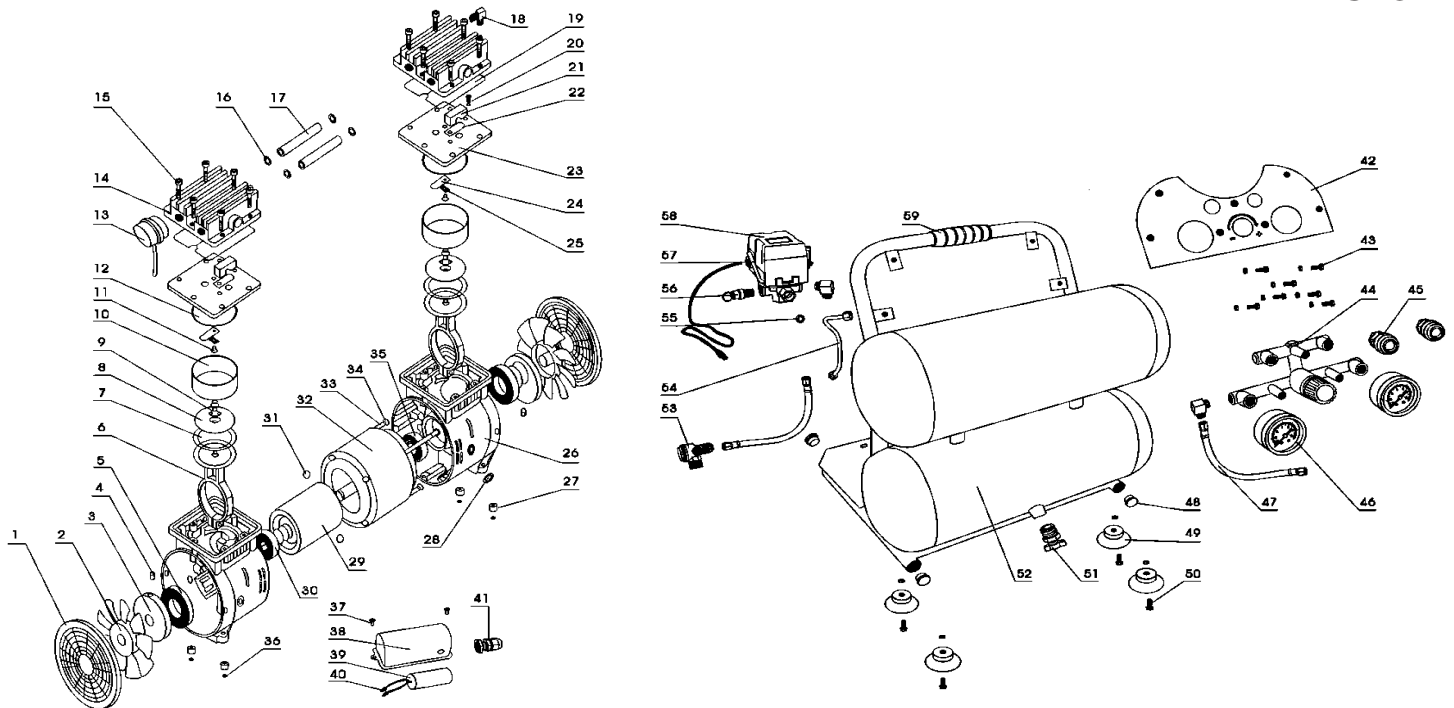




4 GALLON AIR COMPRESSOR BREAKDOWN

AC104

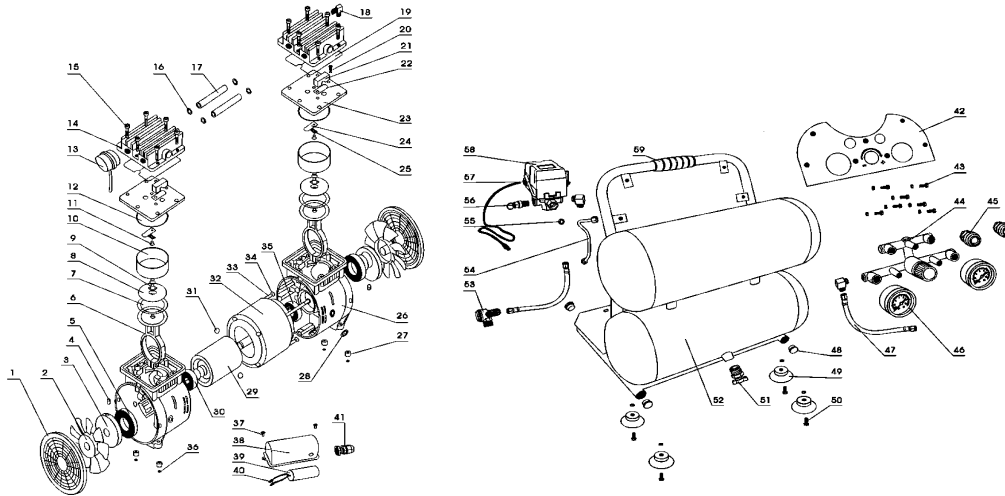


REF #	Main Description	Secondary Description	QTY	Part #
7	Kit	Piston Ring	2	42.011.027
8		Piston	2	
9		Inner Hexagon Screws	2	
10		Cylinder	2	
13	Air Filter	Air Filter	1	42.011.001
18	Discharge Elbow	Discharge Elbow	3	42.011.028
27	Shock Pad	Shock Pad	4	42.011.029
28	Linecard	Linecard	2	42.011.030
37	Kit	Cross Joint Screw M5*14	2	42.011.032
38		Connecting Box	1	
41		Waterproof Nut	1	
39	Capacitor	Capacitor	1	42.011.034
40	Wiring Cap	Wiring Cap	2	85.506.031
44	Support	Support	1	42.011.026
45	Discharge Valve (Quick Coupling)	Discharge Valve (Quick Coupling)	2	42.011.012
46	Pressure Gauge (40mm)	Pressure Gauge (40mm)	2	42.011.013
49	Washer Foot	Washer Foot	4	42.011.014
51	Drain Cock	Drain Cock	1	42.011.002
53	Kit	Non-Return Valve	1	42.011.024
47		Discharge Pipe M14	2	
54		Release Pipe	1	
54	Release Pipe	Release Pipe	1	42.011.116
56	Safety Valve	Safety Valve	1	42.011.150
58	Pressure Switch	Pressure Switch	1	42.011.018
60	Plastic Cover	Plastic Cover	2	42.011.033



4 GALLON AIR COMPRESSOR BREAKDOWN

AC104



REF #	Main Description	Secondary Description	QTY	Part #
7	Motor Pump Assy Kit	Piston Ring	2	42.011.036
8		Piston	2	
9		Inner Hexagon Screws	2	
10		Cylinder	2	
11		Round head cross screws	2	
12		Valve plate gasket	2	
13		Air Filter	1	
14		Cylinder head	2	
15		Inner Hexagon Screws M5*30	12	
16		O-ring	4	
17		High pressure pipe	2	
18		Discharge Elbow	3	
19		Cylinder head gasket	2	
20		Limited block screw	2	
21		Caging Device	2	
22		DischARGE Valve clack	2	
23		Valve plate		
24		Air inflow valve washer		
25		Suare flat washer		
26		Crank case A/B	2	
27		Shock Pad	4	
28		Cable Retaining Clip	2	
29		Rotator	1	
30		Bearing 6203	1	
31		Flangenut M5	4	
32		Motor	1	
33		Outer hexagon screws M5*155	4	
34		Spring Φ5	4	
35		Bearing 6203	1	
36		Nut M6	4	