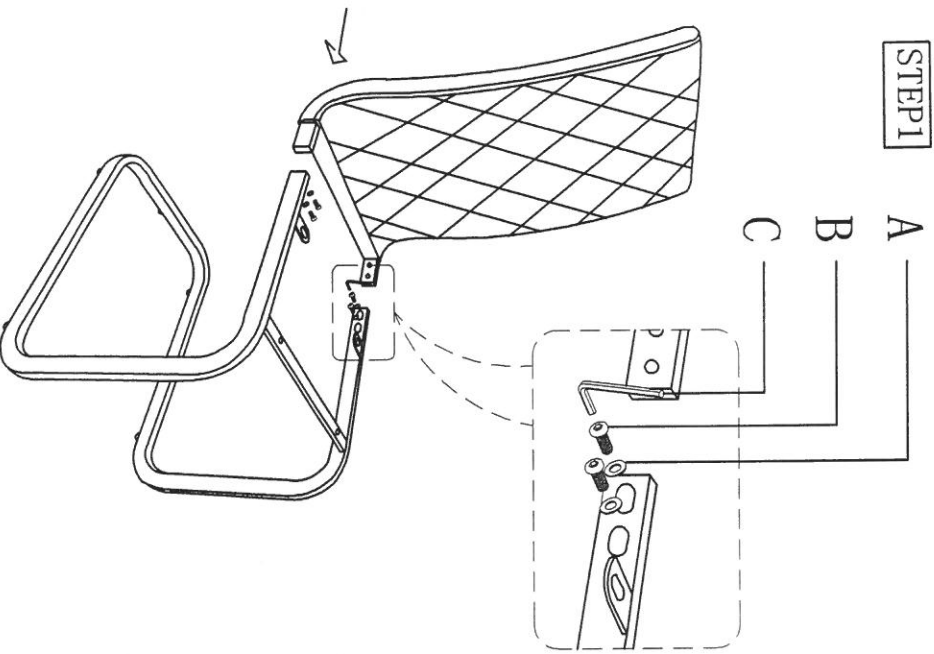


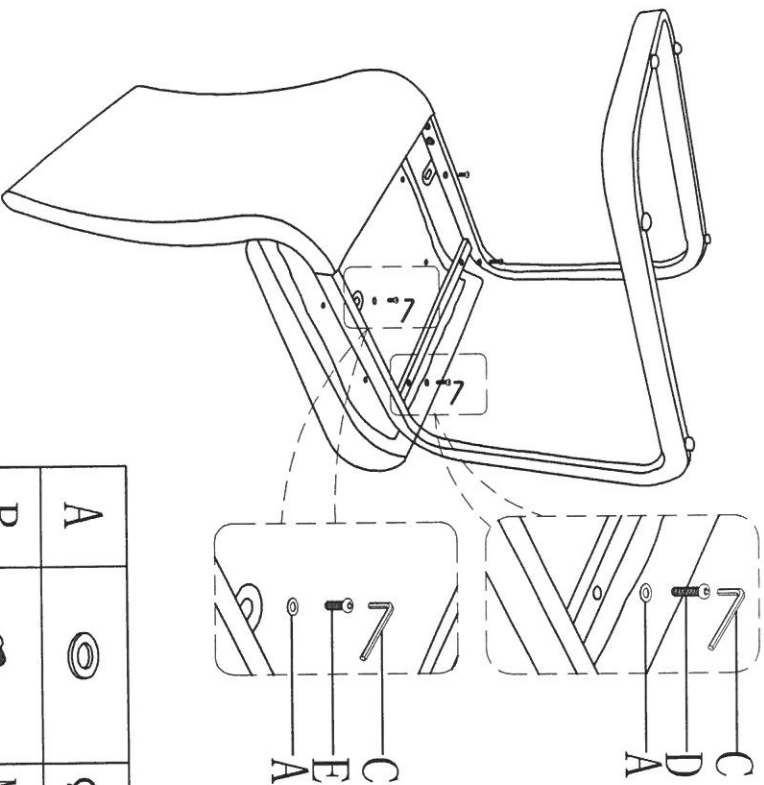
ASSEMBLY INSTRUCTION

Item name: VENETO Model number: G5776 Chair

STEP1

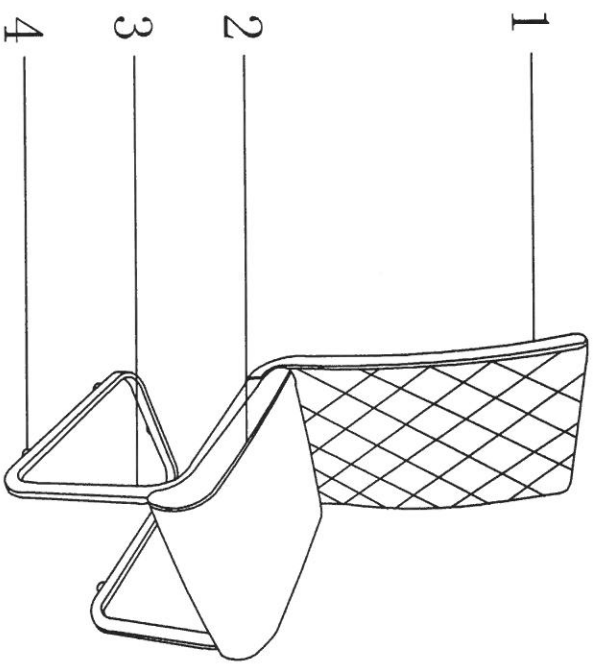



STEP2



Note: Please do not tighten all bolts until the item is fully assembled. Once assembled tighten all bolts.
Not for commercial use.

A		∅8*16	8
B		M8*10mm	4
C		5mm	1
D		M8*30mm	2
E		M8*20mm	2



Item NO.		Part Description	Quantity
G5776	1	Chair Back	1
	2	Seat Cushion	1
	3	Frame	1
	4	 Glide (Φ15*13)	5