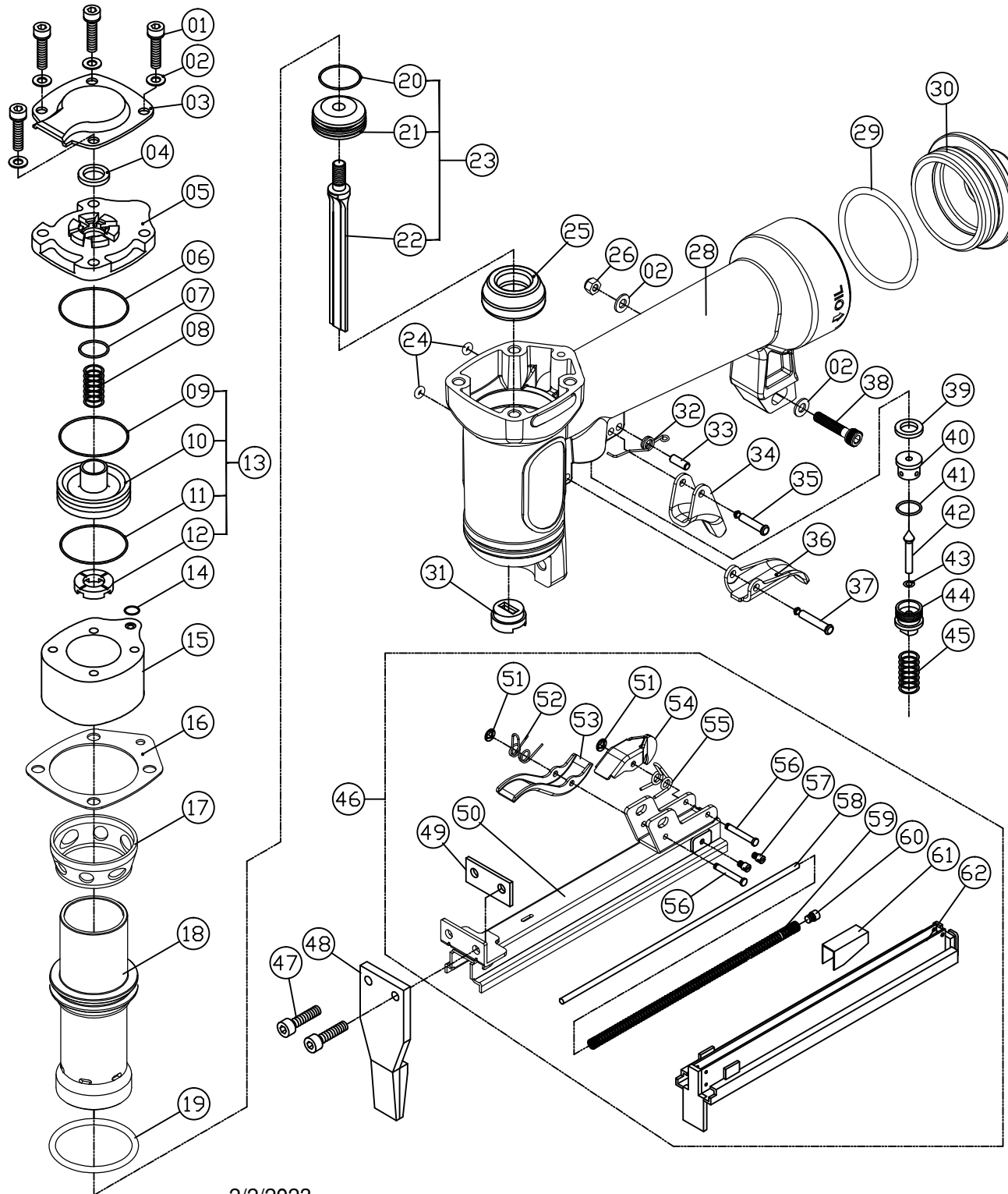


# MODEL PS5016LN



Division of Peace Industries, LTD.

1100 Hicks Road, Rolling Meadows, IL 60008  
 P: 800-873-2239 / 847-259-1620 • F: 888-369-2588  
 customerservice@spotnails.com  
 www.spotnails.biz • www.spotnails.com



| Ref No. | Part No. | Description              | Ref No. | Part No. | Description           |
|---------|----------|--------------------------|---------|----------|-----------------------|
| 01      | P-24715  | Cap Screw - 4PCS         | 33      | P-07481  | Pin                   |
| 02      | P-32211  | Washer - 6PCS            | 34      | P-21099  | Primary Trigger       |
| 03      | P-70049  | Exhaust Cover            | 35      | P-07479  | Step Pin              |
| ♦ 04    | P-15222  | Exhaust Seal             | 36      | P-21087  | Trigger               |
| 05      | P-60188  | Body Cap                 | 37      | P-07480  | Step Pin              |
| ♦ 06    | P-64448  | Cap O-Ring               | 38      | P-24358  | Screw                 |
| ♦ 07    | P-64449  | O-Ring                   | ♦ 39    | P-15226  | Valve Seal            |
| 08      | P-18469  | Poppet Spring            | 40      | P-22184  | Trigger Valve Housing |
| ♦ 09    | P-64450  | Poppet O-Ring            | ♦ 41    | P-64456  | O-Ring                |
| 10      | P-63044  | Poppet Valve             | 42      | P-22185  | Trigger Pin           |
| ♦ 11    | P-64451  | Cylinder Seal O-Ring     | ♦ 43    | P-64457  | O-Ring                |
| ♦ 12    | P-15223  | Piston Stop Seal         | 44      | P-22186  | Valve Housing         |
| 13      | AS-63023 | Poppet Valve Assembly    | 45      | P-18470  | Trigger Spring        |
| ♦ 14    | P-64454  | O-Ring                   | 46      | AS-12204 | Magazine Assembly     |
| 15      | P-03093  | Spacer                   | 47      | P-24300  | Screw - 2PCS          |
| ♦ 16    | P-62093  | Gasket                   | 48      | P-10314  | Front Plate           |
| 17      | P-03086  | Cylinder Spacer          | 49      | P-03091  | Spacer                |
| 18      | P-05142  | Cylinder                 | 50      | P-12461  | Magazine Cover        |
| ♦ 19    | P-64599  | O-Ring                   | 51      | P-32143  | E-Washer - 2PCS       |
| ♦ 20    | P-64453  | Piston O-Ring            | 52      | P-18566  | Spring                |
| 21      | P-66107  | Piston                   | 53      | P-04099  | Latch Arm             |
| 22      | P-06257  | Driver Blade             | 54      | P-04100  | Latch                 |
| 23      | AS-06080 | Piston & Driver Assembly | 55      | P-18567  | Latch Spring          |
| 24      | P-64240  | O-Ring - 2PCS            | 56      | P-07260  | Pin - 2PCS            |
| 25      | P-15224  | Bumper                   | 57      | P-24356  | Screw - 2PCS          |
| 26      | P-26142  | Nut                      | 58      | P-16015  | Rod                   |
| 28      | P-01300  | Body                     | 59      | P-18254  | Pusher Spring         |
| ♦ 29    | P-64425  | O-Ring                   | 60      | P-24357  | Screw                 |
| 30      | P-60175  | End Cap                  | 61      | P-09205  | Pusher                |
| ♦ 31    | P-15225  | Return Seal              | 62      | P-12464  | Magazine              |
| 32      | P-18565  | Spring                   |         |          |                       |

♦ Parts Included In AS-97423 O-Ring And Seal Kit