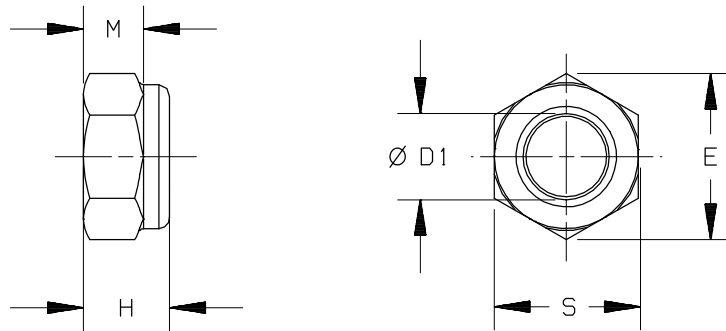


B	DRAWN	TNN	TITLE NUT-HEX, LOCK, NYLON INSERT STAINLESS STEEL	DRAWING NUMBER 23-13036		
	APPRV	DAJ				
	DATE	11/09/01			SHEET 1 OF 1	CHG. LTR. B
	CATIA ORIGINAL		FREIGHTLINER. LLC			

UNLESS OTHERWISE SPECIFIED ALL DIMENSIONS ARE IN MM



D1 BASIC SIZE	"E" CNR WPTH MIN	"H" HEIGHT MAX	"M" HEX HEIGHT	"S" FLAT WIDTH	FREIGHTLINER PART NUMBER
M6 X 1.00	11.05	8.00	3.00	10.00	23-13036-006

ENGINEERING NOTES:

1. MATERIAL: STAINLESS STEEL 304
2. FINISH: NONE
3. DIMENSIONS SHOWN ARE FOR REFERENCE ONLY, FOR DETAILS SEE ISO 7040 OR ANSI B 18.16.3 M.
4. LOCKING FEATURE : NYLON INSERT

CHG	JOB NO	DATE	BY	REVISION
-	P10331-16	11/09/01	TNN	INITIAL RELEASE.
A	PA2042-C5	12/04/01	JLM	CORRECTED DIMS 8.00 WAS 6.00, 3.00 WAS 4.00,
B	PA2042-C8	02/14/02	JLM	NOTE 4 AND DWG NAME NYLON WAS POLYAMID.