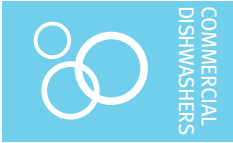




Project \_\_\_\_\_  
 AIA # \_\_\_\_\_ SIS # \_\_\_\_\_  
 Item # \_\_\_\_\_ Quantity \_\_\_\_\_ C.S.I. Section 114000



## ELECTRIC BLOWER DRYER ACCESSORY For CL Series



### SPECIFIER STATEMENT

Designed to promote rapid drying of tableware and trays by forced circulation of high velocity heated air through the blower dryer. Heavy-duty direct drive industrial fan blows room air through electric heater and large area ducting. Heated air directed vertically downward to drying area through rectangular orifice covering full width of chamber. Baffles below conveyor redirect air upward within drying area and minimize heating of discharge table or hot air contact with clean-dish operator at end of machine. Any object which will pass through the machine will be handled at the dryer area without necessity of readjusting blower plenum upward or downward. Blower Dryers are not compatible with Hobart CL-VL Ventless units.

### STANDARD FEATURES

- + Stainless steel 33" long chamber
- + Positive forced circulation of high velocity heated air
- + Fits CL models
- + High velocity industrial type blower-dryer is quiet, giving truly high performance at a low sound level
- + 2 H.P. blower
- + 10kW electric heat

**NOTE:** VENT STACK INCLUDED & MUST BE DIRECTLY VENTED (CANOPY HOOD CANNOT BE USED).

### OPTIONS & ACCESSORIES (Available at extra cost)

- DDU-BD-CL – required when design includes both Hobart DDU38CL Unloader & Hobart Blower Dryer; kit provides components necessary to join the conveyor between accessories

### HEAT TYPE OF OPERATION

- Electric

### DIRECTION OF OPERATION

- Right to Left
- Left to Right

### VOLTAGE

- 208/60/3
- 240/60/3
- 380/60/3
- 480/60/3
- 600/60/3
- 200/50/3
- 380-415/50/3

### CHAMBER HEIGHT – MATCH DISHMACHINE HEIGHT

- Standard Height
- Higher than Standard

CL SERIES – ELECTRIC BLOWER DRYER ACCESSORY

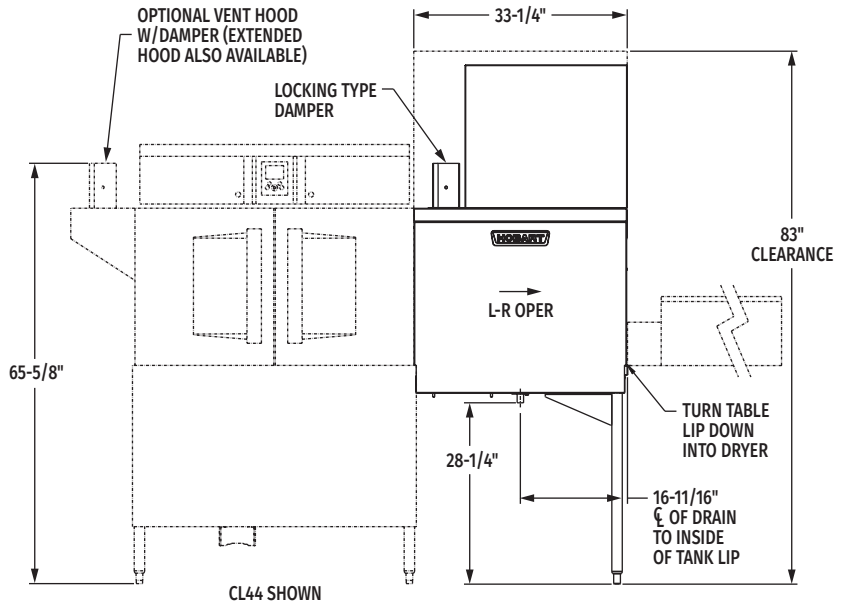
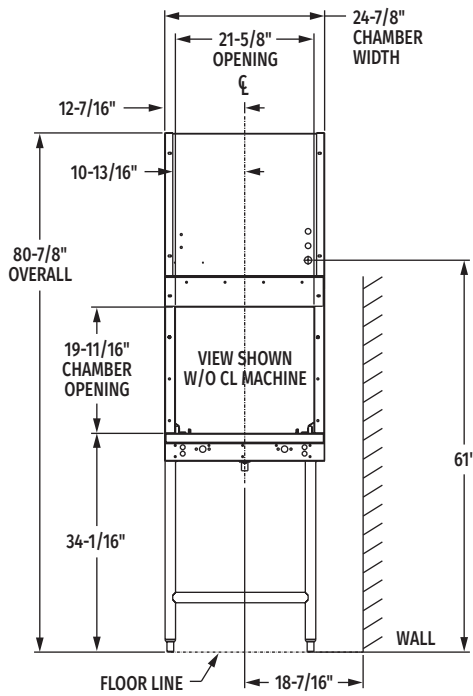
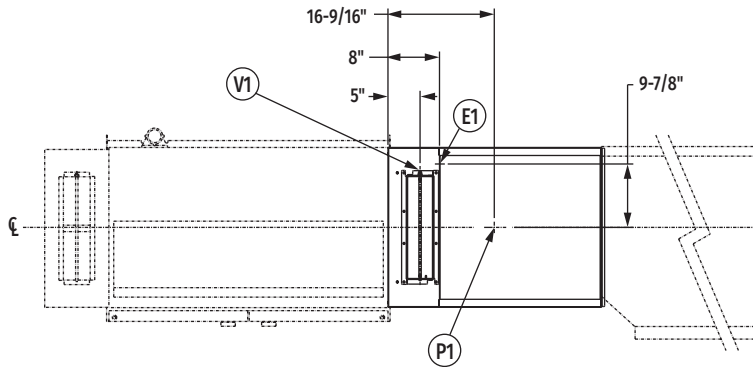
Approved by \_\_\_\_\_ Date \_\_\_\_\_ Approved by \_\_\_\_\_ Date \_\_\_\_\_



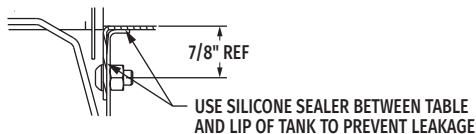
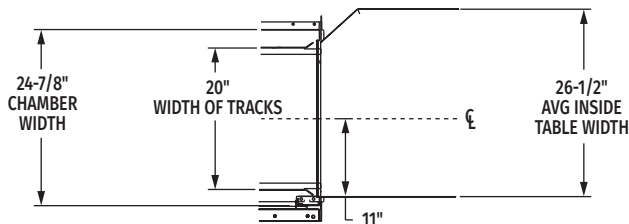
# ELECTRIC BLOWER DRYER ACCESSORY

For CL Series

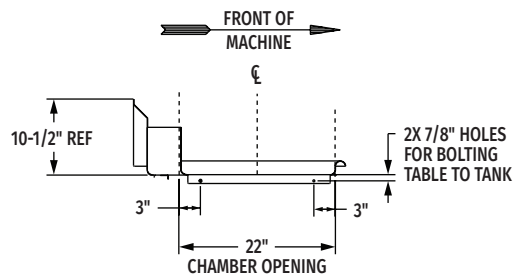
Single Point Electrical Connection Blower Motor & Electric Heat (3 PH only)		
Electrical Specs	Rated Amps	Minimum Supply Circuit Ampacity
208/60/3	34.2	45
240/60/3	30.7	40
380/60/3	17.8	25
480/60/3	15.7	20
600/60/3	12.6	20
200/50/3	33.0	45
380-415/50/3	17.8	25



MODEL:  
CL  
BLOWER-DRYER  
ELECTRIC HEAT  
L-R OPERATION  
E-605614  
REV A



SECTIONAL VIEW SHOWING TABLE CONNECTIONS

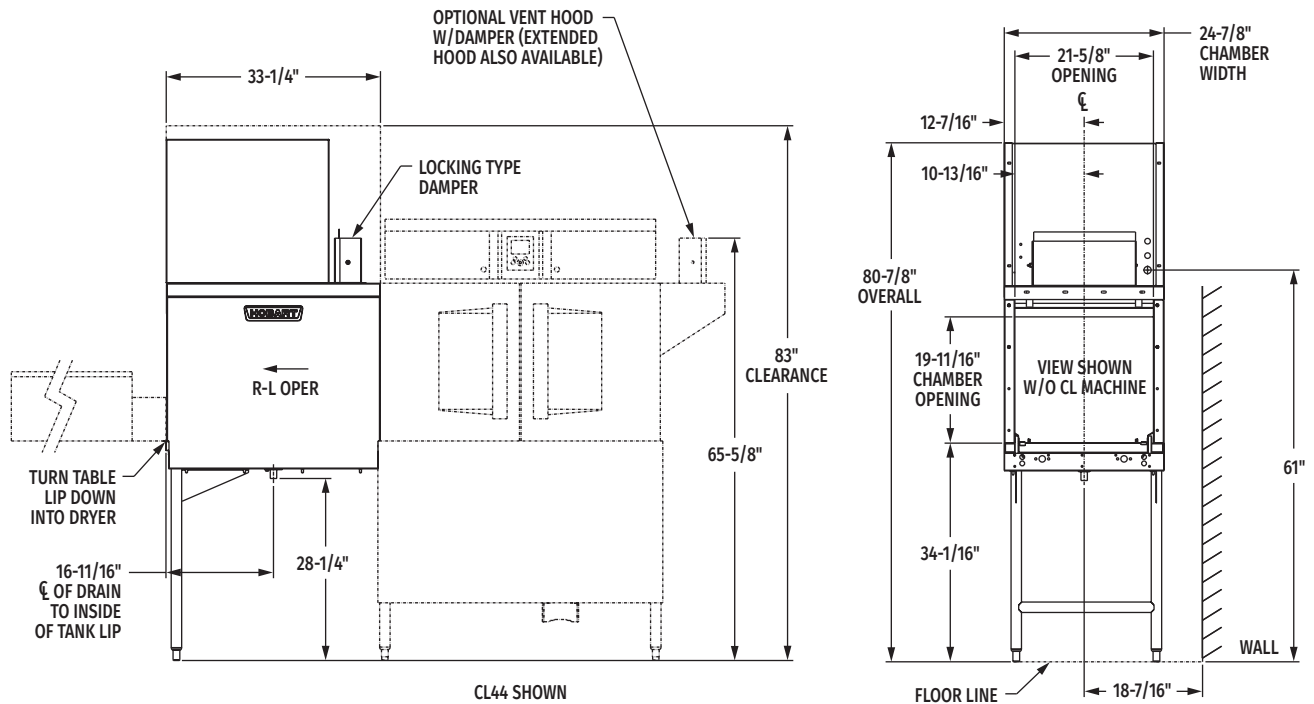
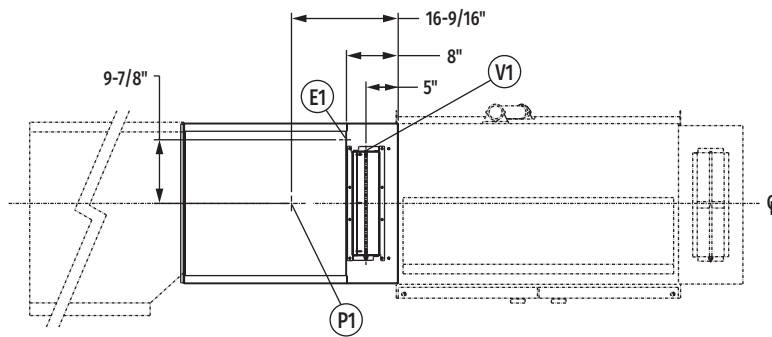


VIEW SHOWING HOLE LOCATIONS IN TURNED DOWN PORTION OF TABLE



# ELECTRIC BLOWER DRYER ACCESSORY

For CL Series



MODEL:  
CL  
BLOWER-DRYER  
ELECTRIC HEAT  
R-L OPERATION  
E-605613  
REV A

CL44 SHOWN

## LEGEND

Electrical Connections	
E1	Electric connection: 1-1/8" conduit hole provided, remove plug to use. 61" AFF.
Plumbing Connections	
P1	Drain connection in dryer tank: 1" FPT. 28-1/4" AFF.
Vent Connections	
V1	Vent connection: (must fit inside) 4" x 16" vent stack, 400 CFM exhaust.
<b>NOTE: CANOPY HOOD INSTALLATION CANNOT BE USED WITH BLOWER DRYER. MUST BE DIRECTLY VENTED.</b>	

**WARNING:** Electrical and grounding connections must comply with the applicable portions of the National Electrical Code and/or other local electrical codes.

**ATTN:** Plumbing connections must comply with applicable sanitary, safety and plumbing codes.

### Miscellaneous Notes:

1. All dimensions taken from floor line may be increased approximately 3/4" or decreased 1/2".
2. For dimensions of dishwashing machine not shown, see installation drawing of machine used.
3. Blower motor controller is controlled from dishwasher motor control box and operates with dishwasher pump motors.
4. Refer to vents and hoods specifications sheets (F7841) for machine exhaust requirements.
5. Canopy hood installation cannot be used with blower dryer.



## ELECTRIC BLOWER DRYER ACCESSORY

For CL Series

**Construction:** Chamber construction is stainless steel, welded and bolted. Vent is 4" x 16" inside dimension and contains a locking type control damper.

Stainless steel wrap-around encloses entire external component assembly consisting of electric heater, motor and blower. Blower dryer is approximately 17<sup>3</sup>/<sub>8</sub>" above height of machine.

Tank portion is constructed of stainless steel with legs and lower cross-members of 1<sup>5</sup>/<sub>8</sub>" stainless steel tubing and stainless steel adjustable feet.

Conveyor is Hobart "Dual Drive" with stainless steel pawls, designed to connect to CL warewasher.

**Electric Heat:** 3 - 3.3 KW Incoloy® electric heaters are used for a total of 10 KW heating capacity. Thermostatic control and separate over temperature protection are standard.

**Blower:** Industrial fan-type with direct drive wheel. Housing of welded construction.

2 H.P. Blower direct drive motor. Exhaust requirement is 200 to 400 CFM.

**Motor:** Splashproof enclosure, ventilated design. Furnished only in three-phase electrical specifications of the basic CL Model in 208-240/60 and 480/60. The controller circuit operates on 115 volts supplied by the transformer on the dishwasher.

**Motor Control:** Ambient temperature compensated automatic resetting solid state overload protection, pre-wired. Operation controlled by dishwasher motor switch, i.e. blower functions only during machine operation.