



Project \_\_\_\_\_  
 Item # \_\_\_\_\_  
 Quantity \_\_\_\_\_

## Decorative Lamps/ Luminaires

Models: DLL-, DL- or DLH-400, -500, -600, -700, -725, -750, -760, -775, -800, -1100, -1400, -1500, -1600, -1700, -1800, -2100, -2200, -2300, -2400

Hatco Decorative Lamps provide radiant heat to briefly hold food warm at kitchen work areas, wait staff pickup stations or customer serving points, while enhancing your décor. Versatile enough for almost any location, the range of lights are available with a selection of unlimited personalized choices. In addition to food warming, configurations for display lighting are offered as well.

### Standard features

- Luminaire (Low Watt), Standard and High Watt bulbs available (bulb not included in unit price)
- Models available in nineteen lamp shade styles
- Ten different mounting arrangements to choose from
- Up to four switch options (Lower switch not available on DL-2100, -2200, -2300 or -2400)
- Available for food holding and display or lighting only applications
- Track Adapter available in 120 volt only

**NOTE:**  
**Decorative Lamps (DLL, DL or DLH Series) are non-returnable.**

#### Build Your Decorative/Luminaire Lamp in Six Easy Steps

(not for retrofit-bulb not included) –

- |               |                         |
|---------------|-------------------------|
| <b>Step 1</b> | Electrical              |
| <b>Step 2</b> | Mounting Style          |
| <b>Step 3</b> | Switch Location         |
| <b>Step 4</b> | Shade Style             |
| <b>Step 5</b> | Shade and Canopy Colors |
| <b>Step 6</b> | Overall Length          |



You can develop your own Hatco Decorative Lamp solutions with our online lamp configurator.

Visit "[www.hatcocorp.com](http://www.hatcocorp.com)" and click on "[Build a Lamp](#)"

• IFS anti-microbial coatings use naturally-occurring, environmentally sustainable, silver ions to help inhibit the growth of microbes on the powder coated surface. See [www.hatcocorp.com/antimicrobial-paint](http://www.hatcocorp.com/antimicrobial-paint) for more information.

For operation, location and safety information, please refer to the Installation and Operating Manual.



(From left to right-top photo) DL-800-CTR, -750-CL, -400-ASU, -725-SU, -775-RL, -600-SL, -500-SU, -760-ASL, -700-SU, -1100-CR, -1500-CTR and -1400-CU  
 (From left to right-inset photo) DL-2300-ASN, -2200-SU, -2100-SR, -1800-RL, -2400-SU, -1600-RCL and -1700-ASU

### Options (available at time of purchase only)

#### Designer Colors (Exception: DL-1500) <sup>■</sup>

- Warm Red    Black    Gray Granite    White Granite  
 Navy Blue    Hunter Green    Antique Copper

#### Gloss Finishes (Exception: DL-1500) <sup>■</sup>

- Smooth White    Gleaming Gold    Glossy Gray    Bold Black

#### Gloss Finishes\* for Shade Only (Exception: DL-1500)

- Radiant Red    Brilliant Blue    Clear Brushed Metal

#### Plated Finishes\* (Exception: DL-1500) <sup>■</sup>

- Bright Brass    Bright Nickel    Bright Copper  
 Antique Nickel    Antique Brass    Antique Bronze

#### DLX-1500 Color Combinations only <sup>■</sup>

- Designer Finishes Black/Antique Copper/Black  
 Gloss Finishes Bold Black/Radiant Red/Bold Black\*  
 Gloss Bold Black/Plated Bright Nickel/Gloss Bold Black\*  
 Gloss Bold Black/Plated Antique Nickel/Gloss Bold Black\*  
 Gloss Bold Black/Plated Bright Copper/Gloss Bold Black\*  
 \*Special process required and extended lead times

#### Cord Color (C=Cord, R=Retractable Mounts, RC=Retractable Cord Mounts only)

- Black (Standard)    White

#### Luminaire Lighting (100W bulb maximum, not included)

#### Extended Electrical Leads – For any ASU, SU, ASL, SL, ASR or SR mount unit, must specify lead length

- 1'-5' (305-1524 mm)    6'-10' (1829-3048 mm)  
 11'-15' (3353-4572 mm)    16'-20' (4877-6096 mm)

### Accessories

#### Track Mount Bar - (120V only, maximum 16 amps per any length of track)<sup>§</sup>

- 4' (1219 mm)    Black    White  
 8' (2438 mm), two 4' (1219 mm) with Coupler<sup>®</sup>    Black    White  
 12' (3657 mm), three 4' (1219 mm) with Couplers<sup>®</sup>    Black    White  
 16' (4876 mm), four 4' (1219 mm) with Couplers<sup>®</sup>    Black    White

#### Additional Track Installation and Modification Kit<sup>§</sup>:   Black   White

<sup>§</sup> Only sold in the United States and Canada

<sup>®</sup> Overall length may not add up to the exact desired size for 8', 12' or 16' options due to cumulative deductions for each 4' section used

#### 16 Amp Lamp Toggle Switch

#### Coated Bulbs, Luminaire models only:   120V, 40W Clear   240V, 40W Clear

- Coated Bulbs:    120V, 250W Clear    240V, 250W Clear    120V, 250W Red  
 120V, 375W Coated Bulbs for DLH models only

#### Uncoated Bulbs:   120V, 250W Clear   240V, 250W Clear   120V, 250W Red

- 120V, 375W Clear for DLH models only



**HATCO CORPORATION** | P.O. Box 340500 Milwaukee, WI 53234-0500 U.S.A. | (414) 671-6350



[www.hatcocorp.com](http://www.hatcocorp.com) | [support@hatcocorp.com](mailto:support@hatcocorp.com) | [Find a Hatco Rep](#) | [Image Library](#) | [Document Library](#) | [Patents](#) | [Chat](#)



# Decorative Lamps/Luminaires

Models: DLL-, DL- or DLH-400, -500, -600, -700, -725, -750, -760, -775, -800, -1100, -1400, -1500, -1600, -1700, -1800, -2100, -2200, -2300, -2400

## ORDERING INSTRUCTIONS

Please refer to the six steps in the Hatco Foodservice Equipment Price List or go online at [www.hatcocorp.com](http://www.hatcocorp.com) and click on "Build A Lamp". This will help you in choosing the correct configuration for your specific needs.

### Step 1-Electrical

Model <sup>◀</sup>	Maximum Watt Bulb (Not included)	Voltage Single Phase	Approx. Ship Weight <sup>■</sup>
DLL- (Luminaire)	100	120, 240	6-10 lbs. (3-5 kg)
DL- (Standard)	250	120, 240	6-10 lbs. (3-5 kg)
DLH- (High Watt)	375	120, 240	6-10 lbs. (3-5 kg)

◀ Not field convertible ■ Depending on components

### Step 2-Mounting Style

MOUNTING STYLES	SPECIFY the:	Shade Height	
		8.5" H (216 mm)	10.5" H (267 mm)
<b>C Mount</b> <sup>⊙</sup> Cord Mount to canopy.  <b>CT Mount</b> <sup>⊙§</sup> Cord Mount to track adapter. 	Overall Length	17" (432 mm) to any length	19" (483 mm) to any length
		<b>R Mount</b> <sup>⊙</sup> Retractable Cord Mount.  <b>RC Mount</b> <sup>⊙</sup> Retractable Cord Mount.  <b>RT Mount</b> <sup>*⊙§</sup> Retractable Cord Mount to track adapter.  <b>RCT Mount</b> <sup>*⊙§</sup> Retractable Cord Mount to track adapter. 	31" to 69½" (787 to 1765 mm)
Adjusts to a maximum and minimum according to shade height	24" to 72" (610 to 1829 mm)		27" to 75" (686 to 1905 mm)
33⅜" to 71⅞" (848 to 1826 mm)	35⅝" to 73⅞" (899 to 1876 mm)		
27" to 75" (686 to 1905 mm)	29" to 77" (737 to 1956 mm)		
<b>S Mount</b> <sup>⊙</sup> Rigid Stem Mount to canopy.  <b>ST Mount</b> <sup>*⊙§</sup> Rigid Stem Mount to track adapter.  <b>AS Mount</b> <sup>⊙</sup> At install only, limited height adjustments with Rigid Stem Mount to canopy.  <b>AST Mount</b> <sup>*⊙§</sup> At install only, limited height adjustments with Rigid Stem Mount to track adapter. 	Overall Length		14" to 71" (356 to 1803 mm)
		17" to 71" (432 to 1803 mm)	19" to 73" (483 to 1854 mm)
		<b>ASU, ASR, ASN</b>	
		14" to 16" 16" to 19½" 20" to 27" 27" to 42" 42" to 72"	16" to 18" 18" to 21½" 22" to 29" 29" to 44" 44" to 74"
<b>ASL</b>		16" to 17" 18" to 22" 22" to 28" 29" to 43" 44" to 73"	18" to 19" 20" to 24" 24" to 30" 31" to 45" 46" to 75"
<b>ASTR, ASTN</b>		16" to 18" 18" to 21" 22" to 29" 30" to 44" 45" to 74"	18" to 20" 20" to 23" 24" to 31" 32" to 46" 47" to 76"
<b>ASTL</b>		18" to 19" 20" to 23" 24" to 31" 31" to 45" 46" to 75"	20" to 21" 22" to 25" 26" to 33" 33" to 47" 48" to 77"

\* NOTE: Lamp shade diameter and wattage may limit number of lamps per track. Maximum 1920 watts or 16 amps per any length of track. To assure warranty coverage, do not install track systems in damp or wet locations (including above steam tables). Track adapter available for 120V only.

⊙ Mounting style not available with a lower switch for DL-2100, -2200, -2300, or -2400.  
 \* Not available for DL-2100, -2200, -2300 or -2400.  
 § Only available in the United States and Canada

### Step 3-Switch Location

<b>(N)-None</b> Supplied by installer	<b>(L)-Lower Switch</b> (Horizontal toggle)	Not available on: • DLH (High Watt models) • 2X00 shade styles	<b>(R)-Remote Switch</b> • Accommodates 16 amps • Up to seven 250W lamps, or five 375W lamps maximum per remote switch	<b>(U)-Upper Switch</b> Not available on: • DLH (High Watt models) • R, RC Mounts • Track Mounts (CT, RT, RCT, ST, AST)
--	--	--	--	---

HATCO CORPORATION | P.O. Box 340500 Milwaukee, WI 53234-0500 U.S.A. | (414) 671-6350



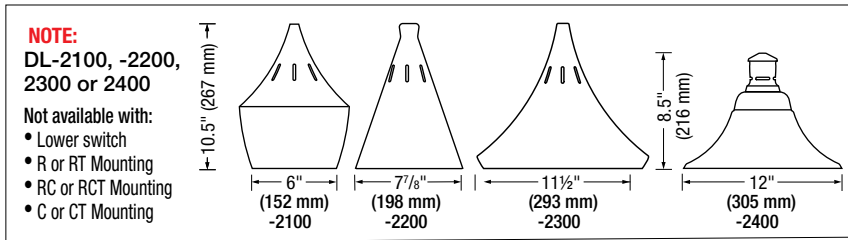
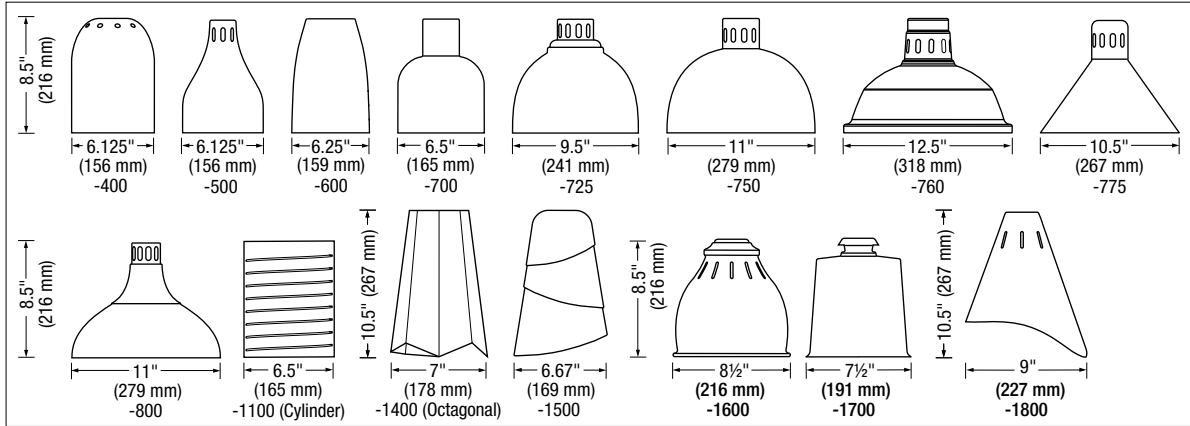
[www.hatcocorp.com](http://www.hatcocorp.com) | [support@hatcocorp.com](mailto:support@hatcocorp.com) | [Find a Hatco Rep](#) | [Image Library](#) | [Document Library](#) | [Patents](#) | [Chat](#)



# Decorative Lamps/Luminaires

Models: DLL-, DL- or DLH-400, -500, -600, -700, -725, -750, -760, -775, -800, -1100, -1400, -1500, -1600, -1700, -1800, -2100, -2200, -2300, -2400


## Step 4-Shade Style (height and width shown)



## Step 5-Shade and Canopy Colors - Click on [www.hatcocorp.com](http://www.hatcocorp.com) (Order Literature/Brochures/Sales Literature/Color Chip Chart) or see the [Hatco Price List](#) for color representations.

Shade and Canopy Colors	
<b>Designer Colors</b>	Warm Red, Black, Gray Granite, White Granite, Navy Blue, Hunter Green, Antique Copper
<b>Gloss Finishes</b>	Smooth White, Gleaming Gold, Glossy Gray, Bold Black <b>Shade Only*</b> : Radiant Red, Brilliant Blue, Clear Brushed Metal
<b>Plated Finishes*</b>	Bright Brass, Bright Nickel, Bright Copper, Antique Nickel, Antique Brass, Antique Bronze

\*Special Process Required and Extended Lead Times

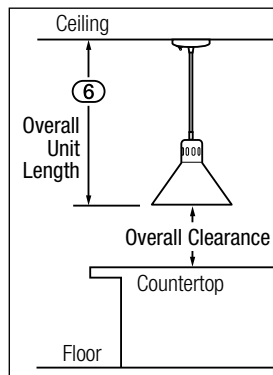
DLX-1500 Shade and Canopy Colors		
Designer Black/ Antique Copper/ Black	Gloss Bold Black*/ Plated Bright Nickel/ Gloss Bold Black	
Gloss Bold Black*/ Plated Antique Nickel/ Gloss Bold Black	Gloss Bold Black*/ Plated Bright Copper/ Gloss Bold Black	Gloss Bold Black*/ Radiant Red/ Bold Black

**DLX-2400**  
Top Cap color available in standard Black



## Step 6-Overall Unit Length

- For C, CT, S, ST, AS or AST Mounts: From ceiling to bottom of warmer lamp shade (#6 in drawing).
- For Clearance: See "Clearance Requirements" in the Hatco Price List Ordering Instructions.



## PRODUCT SPECS Decorative Lamps/Luminaires

The Decorative Lamp shall be a Hatco Model ... as manufactured by the Hatco Corporation, Milwaukee, WI 53234 U.S.A.

The Decorative Lamp shall be rated at ... watts, ... volts, and ... inches (millimeters) in overall width. It shall consist of a vented lamp shade and mounting. Switch locations

can be upper, lower, remote or supplied by installer. Bulb options are uncoated or coated, clear or red, 60W clear (DLL), 250W (DL models) or 375W (DLH models).

Warranty consists of 24/7 parts and service assistance (US and Canada only).

**HATCO CORPORATION** | P.O. Box 340500 Milwaukee, WI 53234-0500 U.S.A. | (414) 671-6350



[www.hatcocorp.com](http://www.hatcocorp.com) | [support@hatcocorp.com](mailto:support@hatcocorp.com) | [Find a Hatco Rep](#) | [Image Library](#) | [Document Library](#) | [Patents](#) | [Chat](#)