

REFRIGERATOR MANUFACTURER  
**Turbo air**  
 more durable, efficient, beautiful

4184 E. Conant St.  
 Long Beach, CA 90808  
 Tel. 310-900-1000  
 Fax. 310-900-1077  
[www.turboairinc.com](http://www.turboairinc.com)

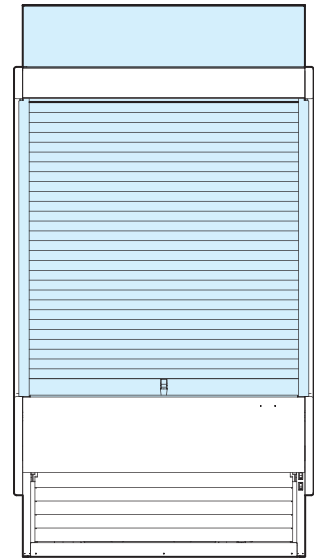
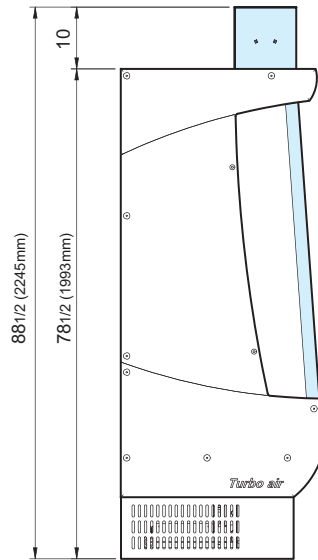
Project :	
Model # :	
Item # :	Qty :
Available W/H :	
Approval :	

## Security Cover for TOM-DX

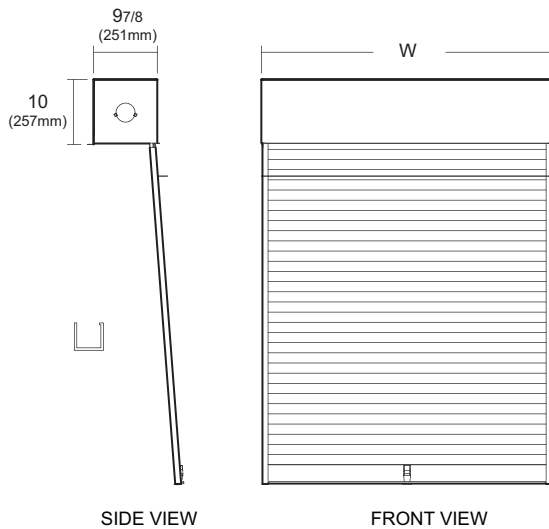
Open Display Merchandisers  
 Security Covers

### Model : SC-DX

(Unit : Inch)

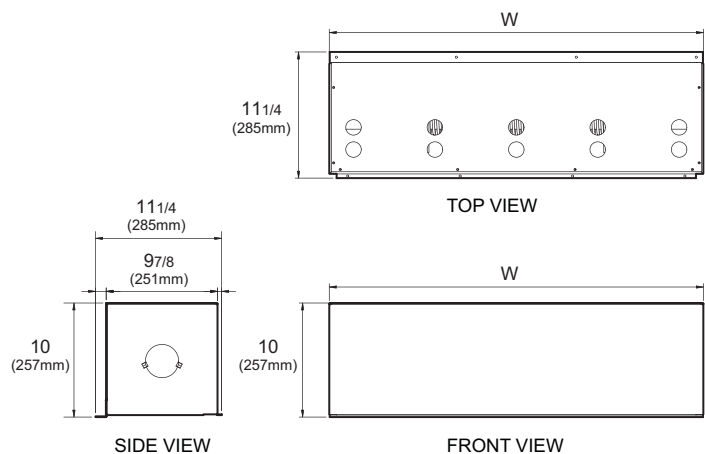


COVERED TOM-DX



SIDE VIEW

FRONT VIEW



TOP VIEW

SIDE VIEW

FRONT VIEW

FOLDED TOM-DX

	Dimension (W x D x H (in.))	Dimension for packaged (W x D x H (in.))	Crated Weight (lbs.)
SC-36DX(*)	32 7/8 X 11 1/4 X 10	61 7/8 X 16 1/2 X 14 1/2	80.7
SC-48DX(*)	44 7/8 X 11 1/4 X 10	61 7/8 X 16 1/2 X 14 1/2	91.8
SC-60DX(*)	56 7/8 X 11 1/4 X 10	61 7/8 X 16 1/2 X 14 1/2	103.0