

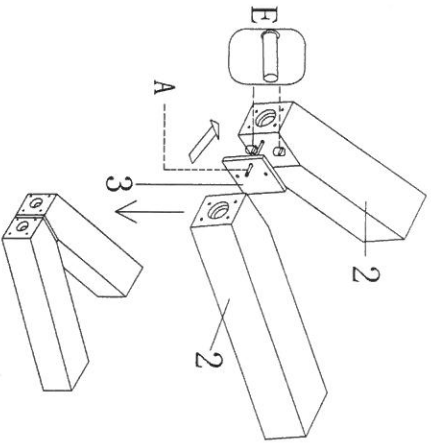
	Part Description	Quantity
G5776-41	Top Glass	1
G5776-45, G5776-46 (Light Wood, Wenge Wood)	Leg	2
	support	1
G5776-47	Base Board	1

ASSEMBLY INSTRUCTION

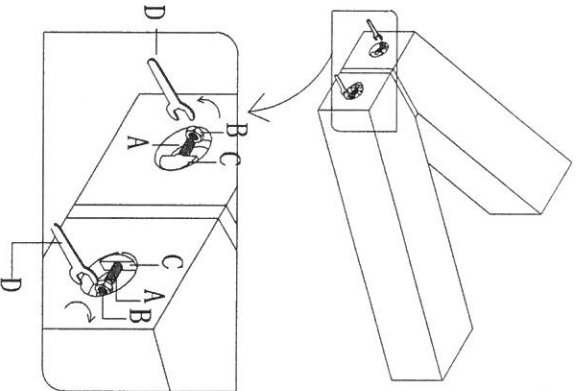
ITEM NAME: VENETO

MODEL NUMBER: G5776-41/G5776-45/G5776-46/G5776-47 TABLE

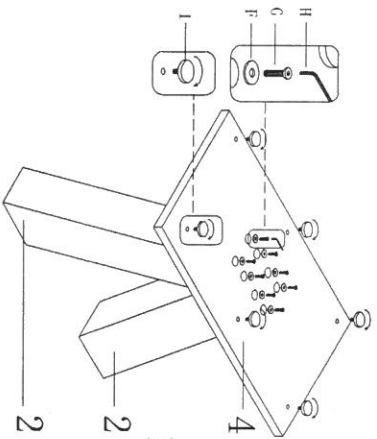
STEP1



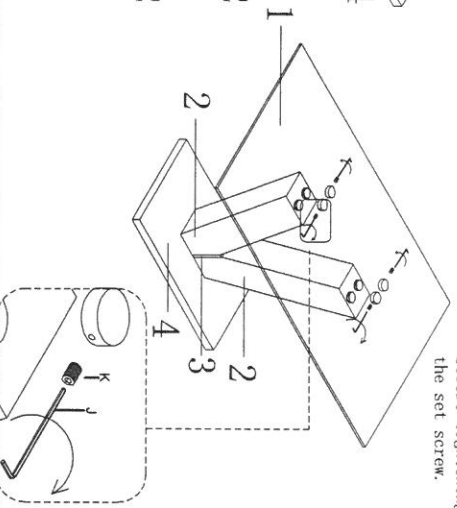
STEP2



STEP3

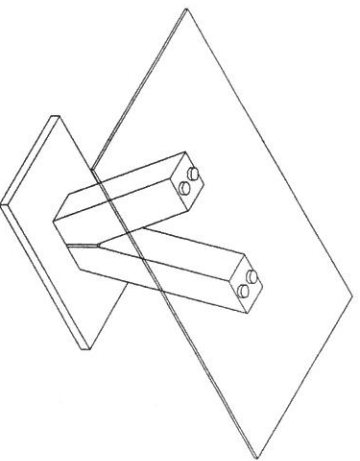


STEP 4



The glass must be seated in the base before tightening the set screw.

FINISH



Attention: When assembly is complete, set the table upright on its base. With at least 2 people, carefully lift the table up from underneath the glass and rotate onto the base
Caution:
Do not use the base to lift.
Do not lean or support the table on the side of the base as damage may occur
When moving the table make sure to pick up the table and place in desired location. Damage can occur if the legs are dragged across the floor.

A	X1		M8x145mm	G	X8		M8x440mm
B	X2		M8	H	X1		M8
C	X2		Φ8x7-28*15mm	I	X6		M8x20-Φ.50x25mm
D	X2		M8	J	X1		M6
E	X2		Φ8x30mm	K	X4		M6*10
F	X8		Φ8x22mm				