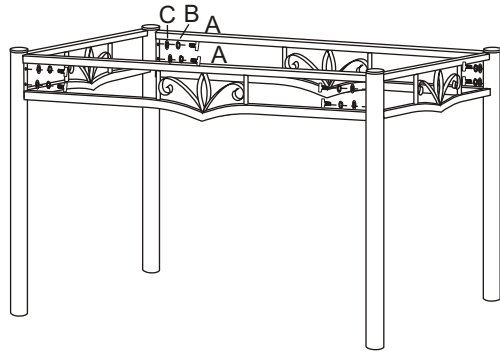
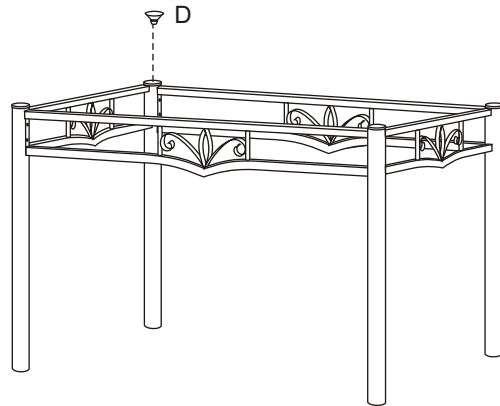







ASSEMBLY INSTRUCTION

STEP1

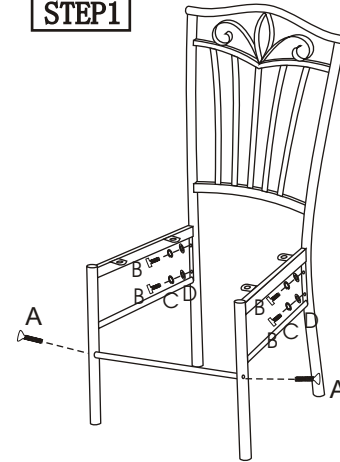


STEP2

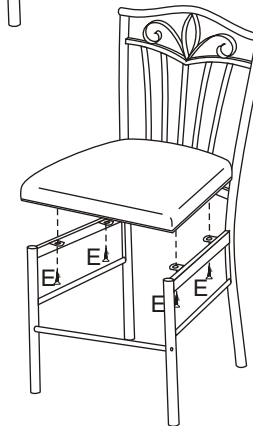








A	Bolt		8PCS	1/4"*15mm
B	Spring washer		8PCS	Φ6.5*φ12
C	Flat washer		8PCS	Φ6.5
D	Glass pad		4PCS	
E	Allen wrench		1PC	

STEP1

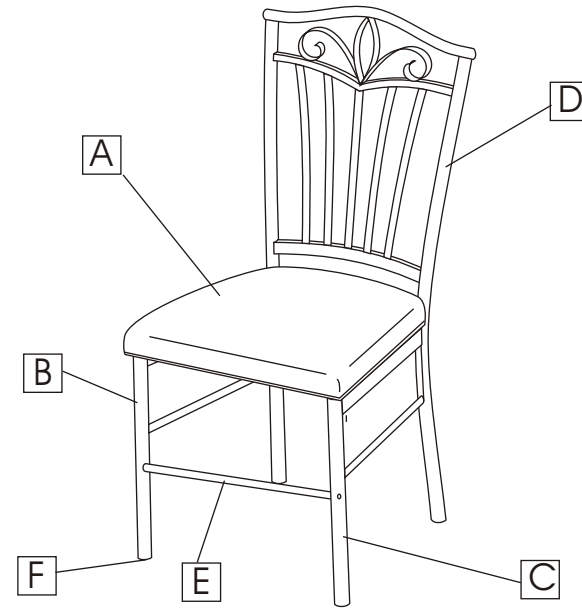
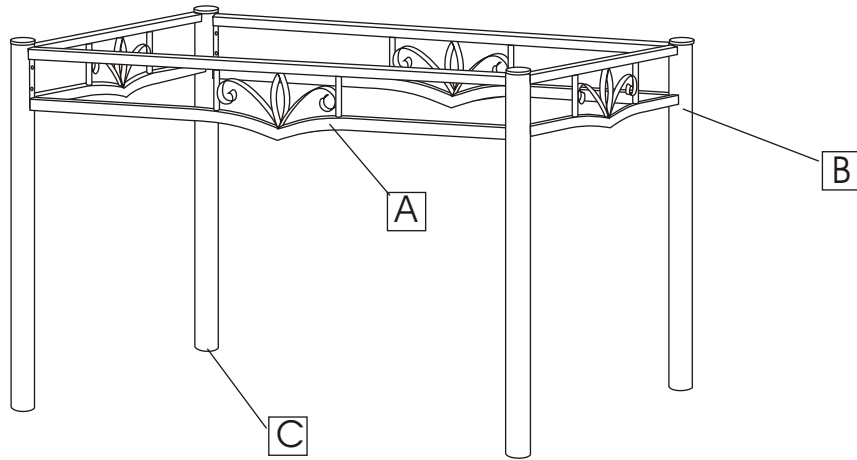


STEP2



A	Bolt		2PCS	1/4"*35mm
B	Bolt		4PCS	1/4"*15mm
C	Spring washer		4PCS	Φ6.5*φ12
D	Flat washer		4PCS	Φ6.5
E	Wood screw		4PCS	M5*20mm
F	Allen wrench		1PC	

**Note: Pls do not tighten all bolts until the products is assembled completely.
To prevent stripping the seat wood do not use a power drill to attach the seat cushions.**



	Part Description	Quantity
A	Side Frame	2
B	Table Leg	2
C	Glide ($\phi 38$)	4

	Part Description	Quantity
A	Seat Cushion	1
B	Chair Leg(left)	1
C	Chair Leg(right)	1
D	Chair Back	1
E	Stretcher	1
F	Glide($\phi 25.4$)	4