

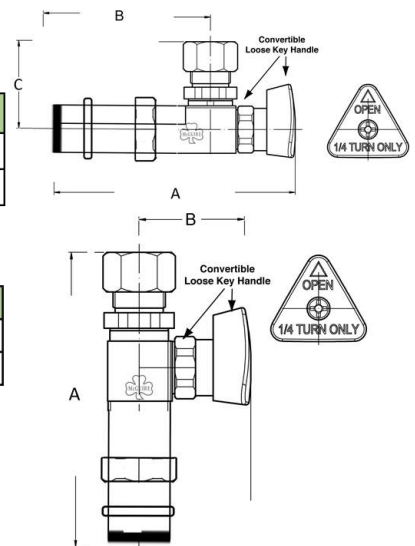
McGuire's BV2Press



- Engineered to McGuire's high quality standards
- Designed to provide labor savings at install
- Smooth, quarter-turn all brass machined valve
- Double O-Ring construction
- Brass ball, teflon seat
- Unique triangle handle converts to a loose key
- Available in straight and angle styles

Part #	Description	A	B	C
LFBV2-PP38	1/4 TURN BALL VALVE PRESS ANGLE STOP 3/8	3-3/4 in	2-1/2 in	1-1/2 in
LFBV2-PP50	1/4 TURN BALL VALVE PRESS ANGLE STOP 1/2	3-3/4 in	2-1/2 in	1-1/2 in

Part #	Description	A	B
LFBV2-PPST38	1/4 TURN BALL VALVE PRESS STRAIGHT STOP 3/8	3-1/2 in	1-1/2 in
LFBV2-PPST50	1/4 TURN BALL VALVE PRESS STRAIGHT STOP 1/2	3-1/2 in	1-1/2 in



! WARNING:

This product can expose you to chemicals including lead, which is known to the State of California to cause cancer, and birth defects or other reproductive harm. For more information go to www.P65Warnings.ca.gov.



ASME A112.18.1

- Rated Operating Pressure: 20-125 PSI
- Rated Operating Temperature: 40-140°F
- Note: 180°F max. during temporary high-temperature system flush

www.mcguiremfg.com

More solutions from the company you trust

