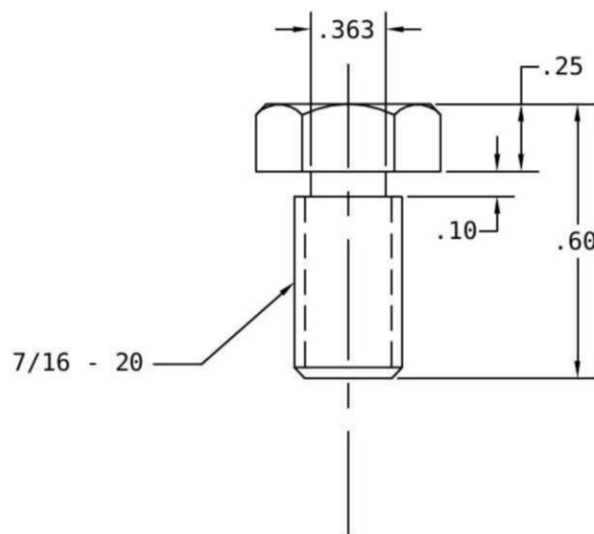


**CONFIDENTIAL**  
 THIS DRAWING/INFORMATION IS SUBMITTED  
 UNDER A CONFIDENTIAL RELATIONSHIP FOR A  
 SPECIFIC PURPOSE, AND THE RECIPIENT AGREES BY  
 ACCEPTING THIS DRAWING/INFORMATION  
 NOT TO DISCLOSE ANY INFORMATION REGARDING  
 IT TO ANY UNAUTHORIZED PERSON.

**COPY**

NOTES:

1. MATERIAL: 416 STAINLESS.
2. STANDARD HEX HEAD.
3. CLASS 2 ROLLED THREADS.



A PMB THREE PLACE DECIMAL TOLERANCE WAS ±.001 & REVISE TITLE BLOCK JRS 08-18-10

PROPRIETARY - This information is confidential. It contains proprietary information and other rights which are the sole and exclusive property of [redacted]. Possession of this material does not convey or transfer any rights thereto, and any reproduction, use, copying, or disclosure to others is forbidden without the prior written consent of [redacted].

DATE:	DRAWN BY:	APPROVED BY:	SCALE:	PAGE:
02-12-07	PAUL BUDA	TWJ JRS	NOT TO SCALE	1 OF 1

TOLERANCES NOT OTHERWISE SPECIFIED		
TWO PLACE DECIMAL	(.XX) +/- .010	FRACTIONS +/-
THREE PLACE DECIMAL	(.XXX) +/- .010	ANGLES +/-

PART NAME	DRAWING NUMBER	REV.
PLUG	50P4	A

(A)