

D

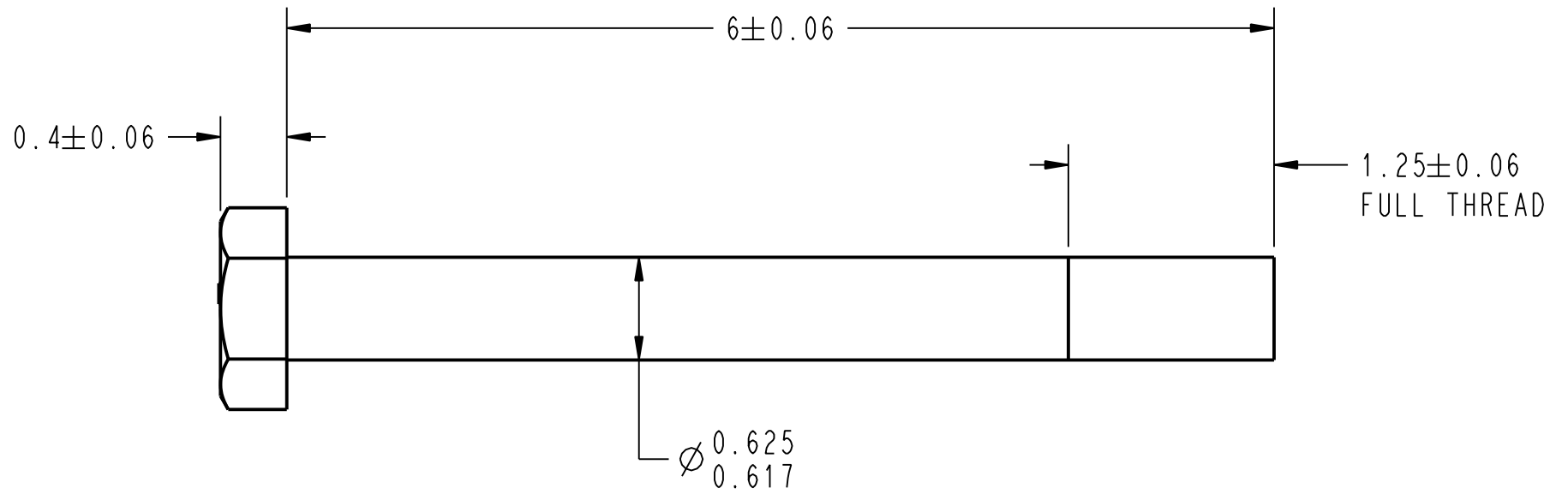
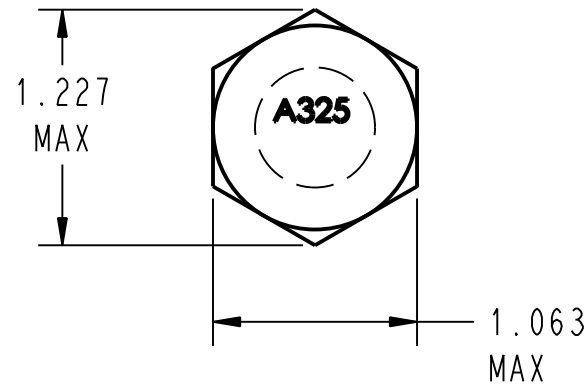
C

B

A

MOD REV B

16901022



MATERIAL: ASTM A-325, COLD HEADED BOLT
ZINC PLATE, CNH MAT0310, ZN YCR5

NONE	
STD. NO.	DESCRIPTION
APPLICABLE STANDARDS	

				DRAWN BY L HERMAN	02NOV01	INCH		LEXICON CODE	REFERENCE PART	REPLACES	PART STATUS	
				CHECKED BY		UNLESS OTHERWISE SPECIFIED, ALL DIMENSIONS ARE IN INCHES		CNH MATERIAL NOT APPLICABLE			MATL SIZE	
				MATERIAL BY		GENERAL TOLERANCES PER CNH DRAWING STANDARD DWGB105		LOCAL MATERIAL SEE NOTES				
				APPROVED BY		GEOMETRIC DIMENSIONING AND TOLERANCING PRACTICES SHALL CONFORM TO CNH DRAWING STANDARD DWGB100		APPROX MASS 0.634 kg	ENGRG CONT GF	MODEL	DWG SCALE 1:1	DOC NO. - HOM NO.
				THE INFORMATION HEREON IS CONFIDENTIAL AND PROPRIETARY PROPERTY OF CNH GLOBAL N.V. AND/ OR ITS SUBSIDIARIES. ANY USE, EXCEPT THAT FOR WHICH IT MAY BE LOANED, IS PROHIBITED.		DESIGN		LOCAL DESCRIPTION			SECT OF	
						<input type="checkbox"/> FIRST ANGLE PROJ. <input checked="" type="checkbox"/> THIRD ANGLE PROJ.		DESCRIPTION BOLT, .625 X 6 NC A325, ZND			SIZE / SYS A3/PRO	SHT OF 1 1
						<input type="checkbox"/> HARD METRIC <input checked="" type="checkbox"/> SOFTMETRIC <input type="checkbox"/>		 PROPERTY OF A SUBSIDIARY OF CNH GLOBAL N.V.			SC CLASS CNHO	CRITICAL/ TOTAL SC'S 0/0
								PART NUMBER 16901022				

35111752	B	ADDED ZINC PLATE NOTE (2B)	H GERDES	09DEC10
	B	REDRAWN IN PROE, WAS SOLIDWORKS	H GERDES	09DEC10
ECO	REV	CHANGES	BY	DATE