

PRODUCT SPECIFICATION

RAISED COMPARTMENT MARATHON TRAY

features

This six-compartment correctional meal tray is a variation of our most popular insulated tray. We raised the bottom of the compartments of the Marathon Tray making them shallower than the original tray improving meal presentation by making portions look heartier. These trays are also ½” deeper than the original Marathon allowing for the underside of the compartments to be larger so food doesn’t stick to the tray above when stacked. While the tray is a different depth, it still stacks with the original Marathon Tray and is highly durable.

630-170RCB
Raised Compartment
Marathon Tray

IMPROVES MEAL PRESENTATION

Raising the bottom of the compartments elevates food, making portions look heartier

IMPROVED SANITATION

Trays are extra deep so we could create more space above food compartments when trays are stacked, keeping food from sticking to the tray above it during transport. Food is less likely to end up on the bottom of the tray when delivered

EXCEPTIONAL DURABILITY

Designed with extra thick walls that are dent resistant

GREAT HEAT RETENTION

Made from specially formulated solid material to provide superior heat retention

NO HOLES

Trays will not absorb water extending the useful life of the tray

EASY TO CLEAN

Smooth edges and radius compartment walls make this tray easy to keep clean

ACCOMODATES A VARIETY OF MENUS

Six compartments to accommodate entree, bread, 2 sides, dessert and flatware

TWO COLOR CHOICES

Dark Brown or Dark Gray

IMMEDIATE SHIPPING

In stock with same day shipping

WARRANTY

2-year “No Questions Asked” Full Replacement Warranty

MODEL

630-170RCB	Brown	Raised Compartment Tray
630-170RCG	Gray	Raised Compartment Tray



630-170B
Original Marathon Tray



p 800-956-5571
f 800-956-6822
w COOKSCORRECTIONAL.COM
27725 DIEHL ROAD
WARRENVILLE, IL 60555

PRODUCT SPECIFICATION

RAISED COMPARTMENT MARATHON TRAY

features

PRODUCT DETAILS

MANUFACTURER

Cook's Brand

PRODUCT

Raised Compartment Marathon Tray

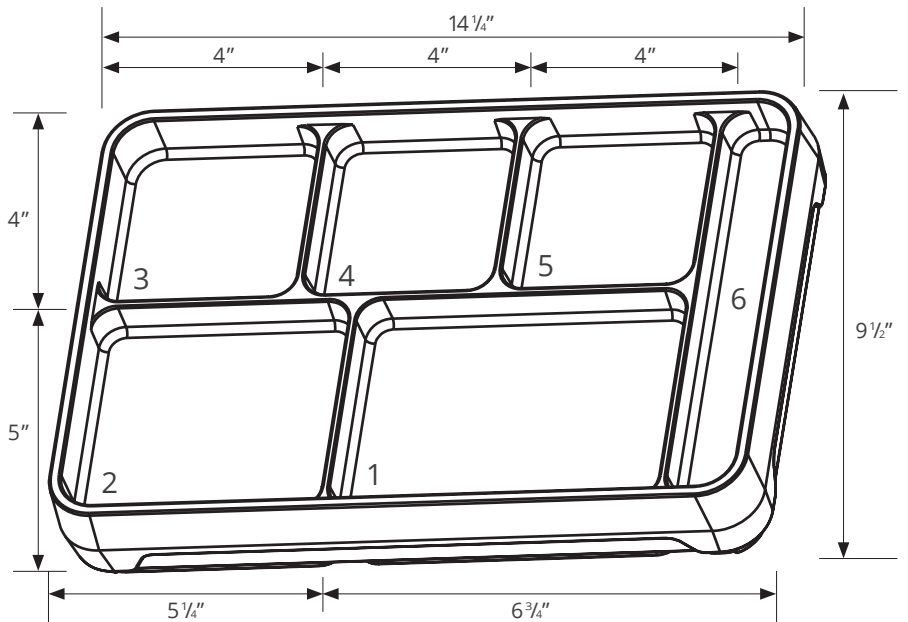
630-170RCB Brown 6 Compartment Tray

630-170RCG Gray 6 Compartment Tray

DIMENSION

14-¹/₄"L x 9-¹/₂"W x 2-¹/₂"D

- Compartment Sizes: (1) 6-³/₄" L x 5" W x 1"D
(large entrée compartment on bottom)
 (2) 5-¹/₄" L x 5" W x 1"D
(bread compartment on bottom)
 (3, 4 and 5) 4"L x 4"W x 1"D
(three compartments on top row)
 (6) 9"L x 1-¹/₂"W x 1"D
(flatware slot)



MATERIALS

FDA Approved Polypropylene

SHIPPING

Class:125

INFORMATION

NMFC (National Motor Freight Classification):

Tray 156600SUB

SHIPPING WEIGHT

32 Lbs per case

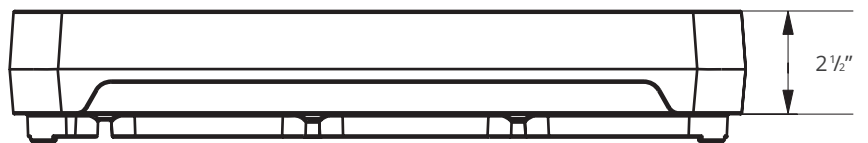
CASE PACK QTY

10 per case

WARRANTY

2-year "No Questions Asked" Full Replacement Warranty

Note: Specifications are subject to change without notice as necessitated by continuing product improvement.



Compartment Capacity

- 1 - 15 oz. entrée
- 2 & 3 - 11 oz. side
- 4 & 5 - 8 oz. side
- 6 - Flatware holds a spork or spoon