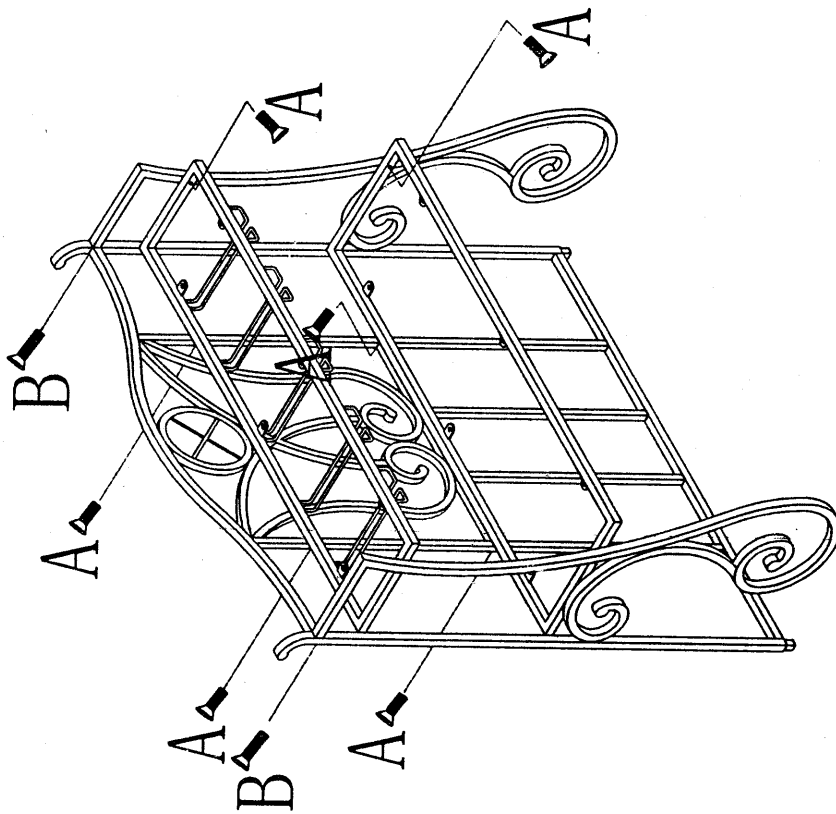
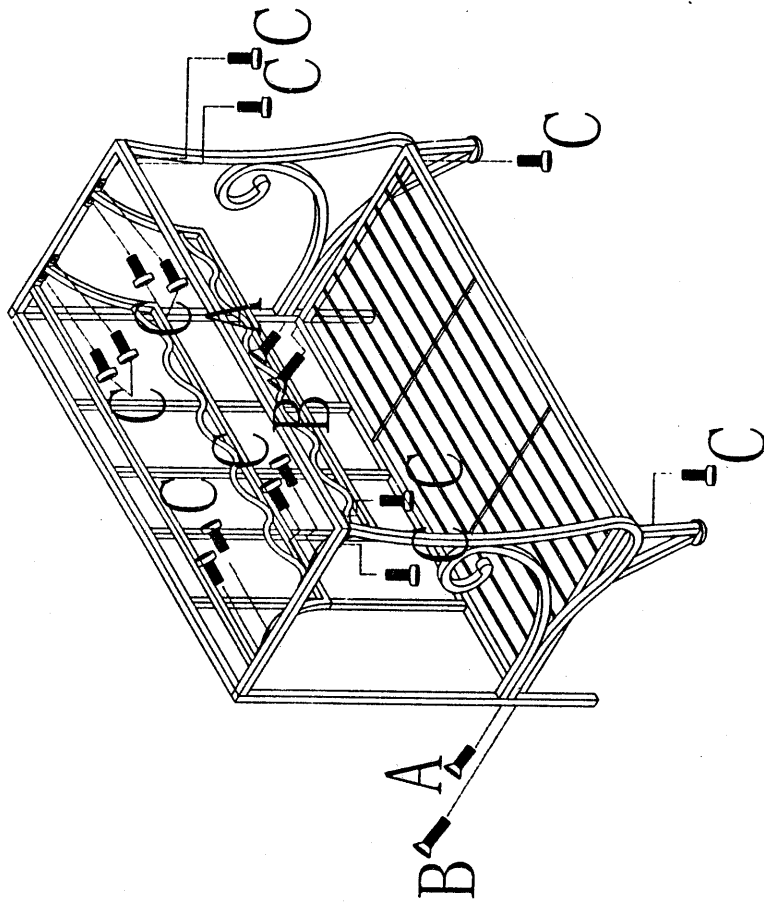





ASSEMBLY INSTRUCTION

STEP 1



STEP 2

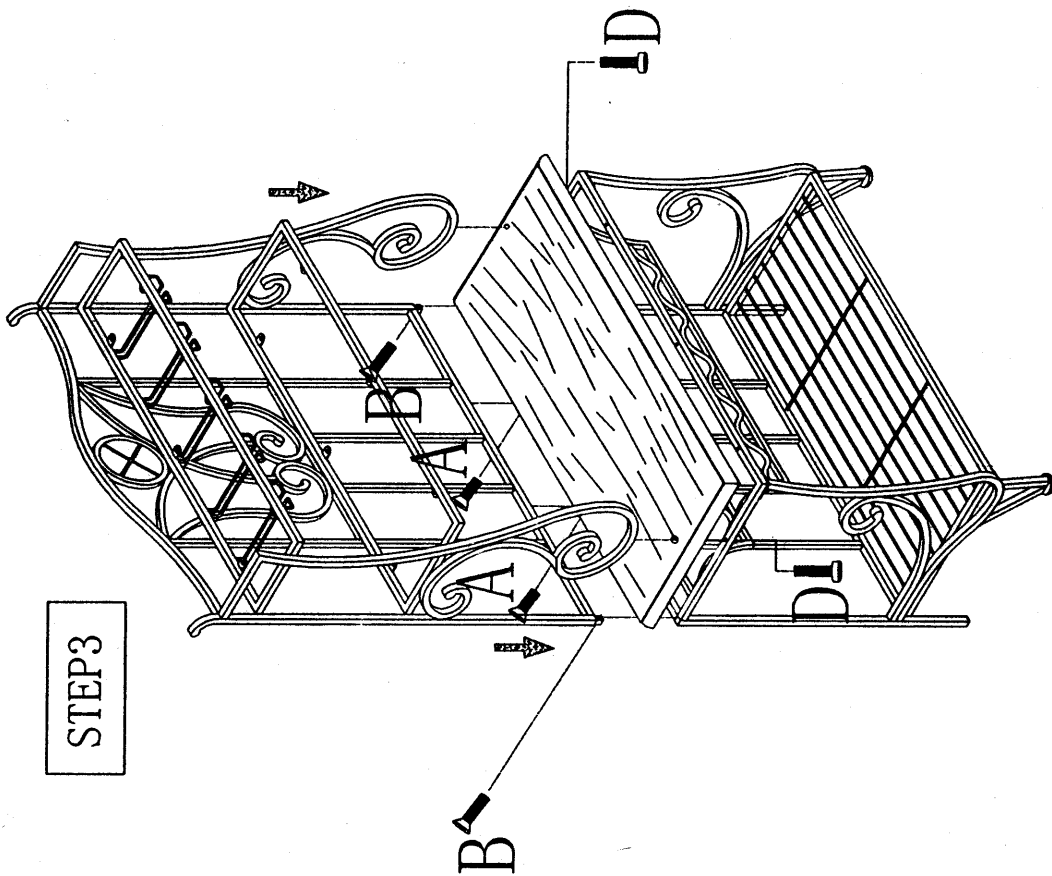


A		10pcs	1/4" X 25mm Flat Head Bolt
B		4pcs	1/4" X 35mm Flat Head Bolt
C		14pcs	1/4" X 12mm Pan Head Bolt

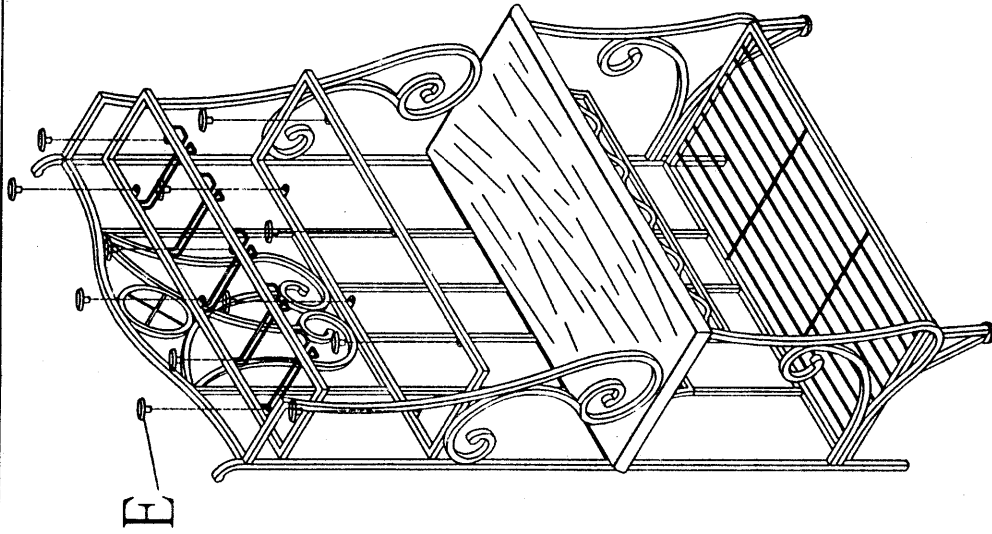
Note: Pls do not tighten all bolts until the bakers rack is assembled completely.






ASSEMBLY INSTRUCTION

STEP3

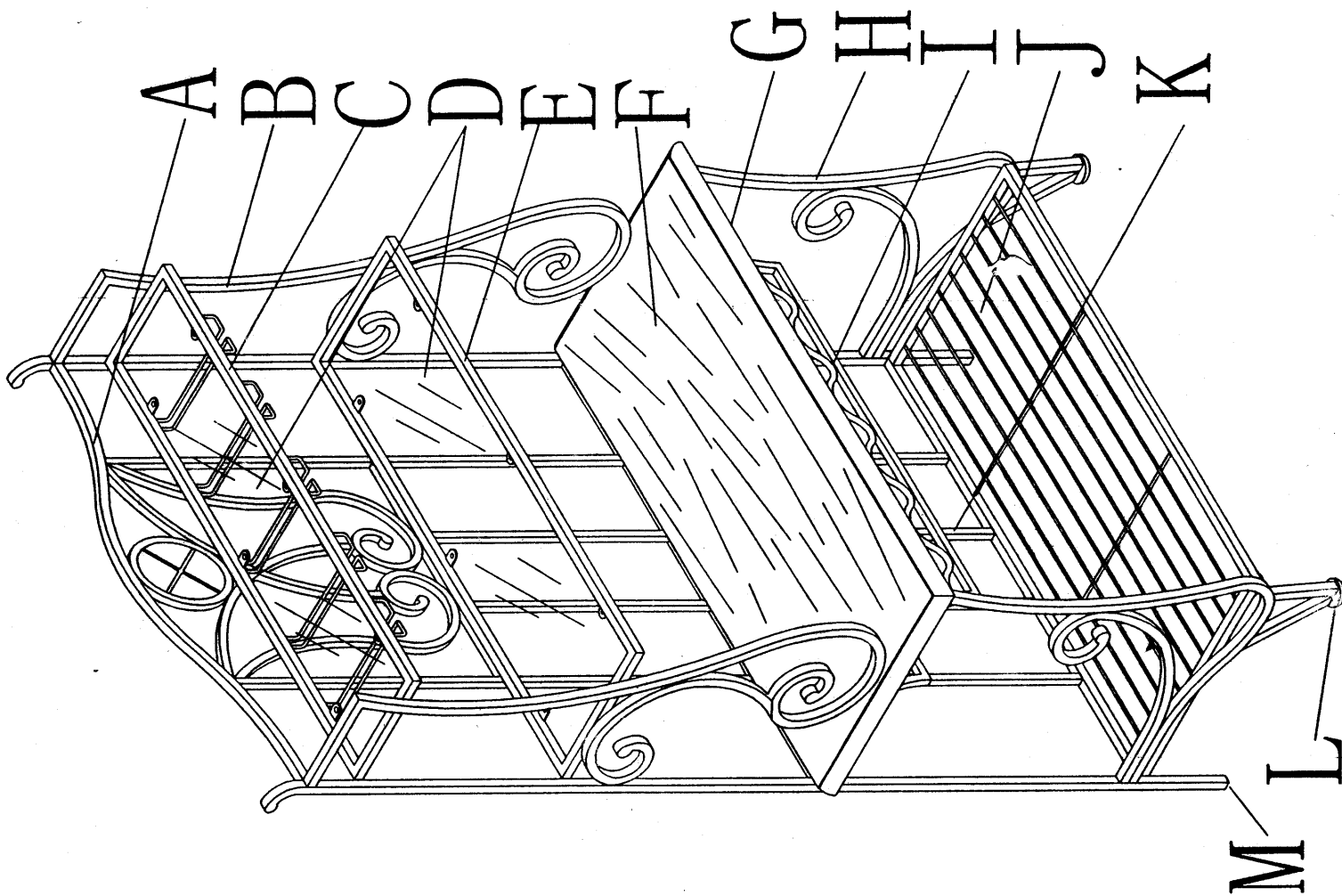


STEP4

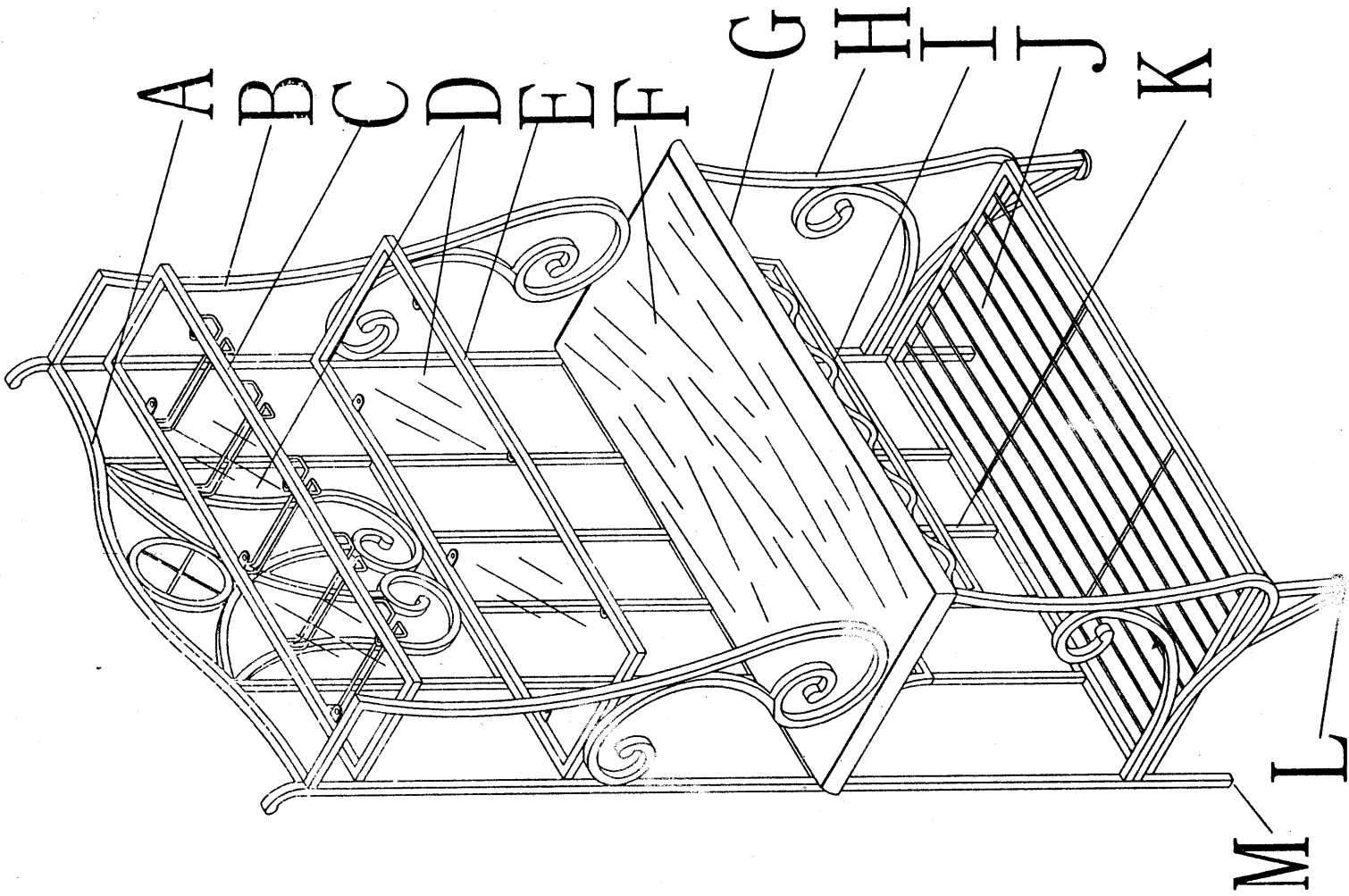


A		2pcs	1/4" X 25mm Flat Head Bolt
B		2pcs	1/4" X 35mm Flat Head Bolt
D		2pcs	1/4" X 50mm Pan Head Bolt
E		12pcs	GLASS SHELF SUCTION
F		1pc	Allen Key

Note: Pls do not tighten all bolts until the bakers rack is assembled completely.



	Parts Description	Quantity
A	TOP BACK	1
B	TOP SIDE	2
C	WINE CUP HANGER	1
D	GLASS	2
E	GLASS FRAME	1
F	MIDDLE PANEL	1
G	MIDDLE FRAME	1
H	LEG SIDE	2
I	WINE BOTTLE HANGER	2
J	METAL SHELF	1
K	BASE BACK	1
L	ADJUSTABLE GLIDE (1/4*ø24*10mm)	2
M	PLASTIC PLUG(16*16)	2



	Parts Description	Quantity
A	TOP BACK	1
B	TOP SIDE	2
C	WINE CUP HANGER	1
D	GLASS	2
E	GLASS FRAME	1
F	MIDDLE PANEL	1
G	MIDDLE FRAME	1
H	LEG SIDE	2
I	WINE BOTTLE HANGER	2
J	METAL SHELF	1
K	BASE BACK	1
L	ADJUSTABLE GLIDE (1/4*ø24*10mm)	2
M	PLASTIC PLUG(16*16)	2