

WP-2000

WEATHERPROOF ENCLOSURE FOR DUCT SMOKE DETECTORS

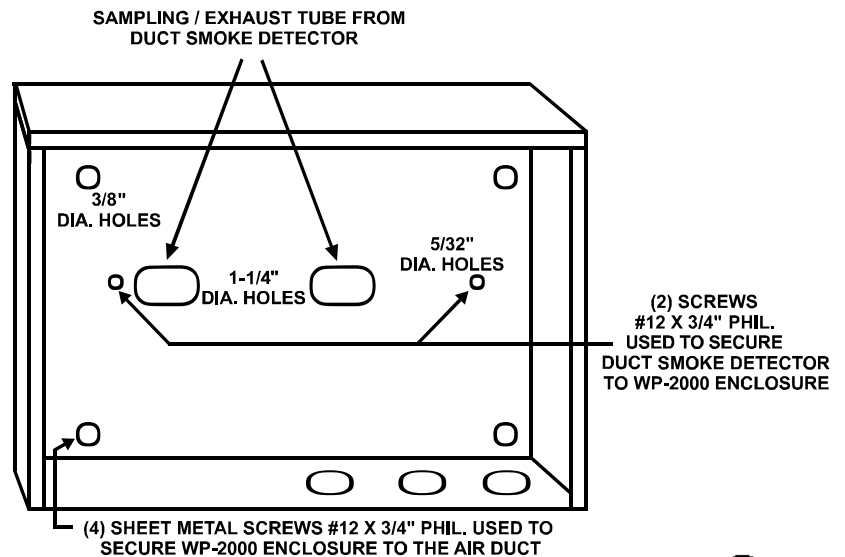
PRODUCT SPECIFICATIONS

| | |
|--------------------|--|
| USE: | AIR PRODUCTS AND CONTROLS SL-SERIES Duct Smoke Detectors MIRCOM MDH-SL2000I, MDH-SL2000P Duct Smoke Detectors SIEMENS AD2-P, AD2-PR, AD2-XHR, AD2-4W Duct Smoke Detectors FARADAY 8741, 8742, 8743, 8744 Duct Smoke Detectors |
| CONDUIT KNOCKOUTS: | On bottom: 3 convertible 0.75" to 1.75" |
| METAL WORK | 16ga CRS with white painted finish |
| FRONT ACCESS | Removable cover, secured with two screws |
| HARDWARE: | Enclosure mounting screws included |
| PROTECTION RATING: | 3R – UL 50, NEMA, and CSA Outdoor: Internal equipment protected from falling rain, etc.; undamaged by ice formation |
| ENVIRONMENTAL | See appropriate duct smoke detector specifications |
| APPROVALS: | UL: BGUI.E257104 CUL: BGUI7.E257104 |

CAUTION: DE-ENERGIZE ALL POWER BEFORE INSTALLATION OR SERVICE
ATTENTION: TENSION TOUS PUISSANCE AVANT L'INSTALLATION OU SERVICE

MOUNTING

1. Remove paper backing from mounting template AP-185 from detector kit and affix to the air duct at desired location.
2. Using the template as a guide, drill or punch (2) 1-1/4" dia. holes in the air duct, for the sampling tube / exhaust tube.
3. Position the WP-2000 enclosure in such a way that the holes (on the template and WP-2000) are lined up with each other.
4. Mark the (4) WP-2000 air duct mounting holes. Then drill (4) 3/32" (2.5mm) pilot holes as marked.
5. Secure the WP-2000 enclosure to the air duct with (4) #12 x 3/4" sheet metal screws (WP-2000 kit).
6. Fit the duct smoke detector into the 1-1/4" holes on the air duct.
7. Secure the duct smoke detector with (2) #12 x 3/4" sheet metal screws (from detector kit) to the WP-2000 enclosure.
8. Connect sampling tube / exhaust tube to the duct detector (position the sampling tube in such a way that air flows into the intake holes).



 FOR ADDITIONAL APPLICATION INFORMATION AND/OR ASSISTANCE,
PLEASE CONTACT OUR TECHNICAL SUPPORT HOTLINE. (888) 332-2241

