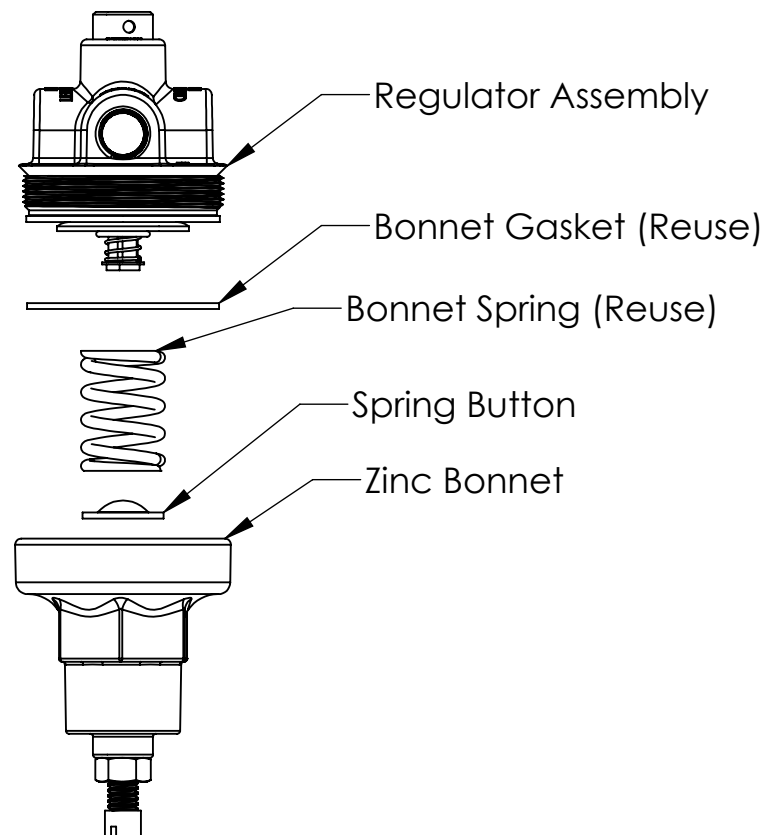
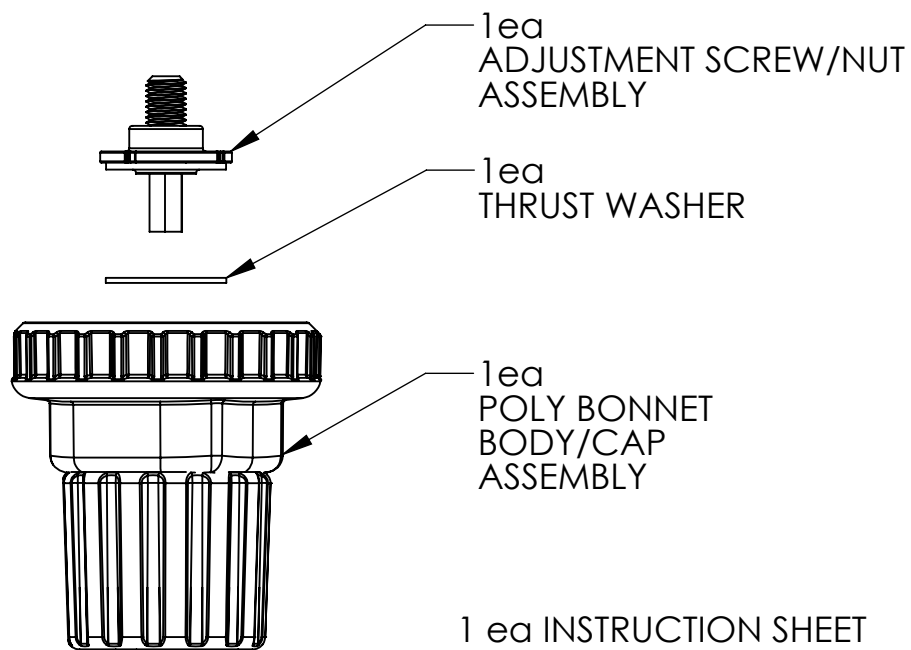


# POLY BONNET REPLACEMENT INSTRUCTIONS (DISASSEMBLY)

A 1-5/16" or adjustable wrench is required to remove the Zinc bonnet

## PARTS SHIPPED IN THIS KIT: ASSEMBLE AS SHOWN



**STEP 1.** Unscrew (counter clockwise) Zinc bonnet off Regulator body.

**STEP 2.** Remove Zinc bonnet and Spring button from assembly. Bonnet spring and bonnet gasket will be reused.

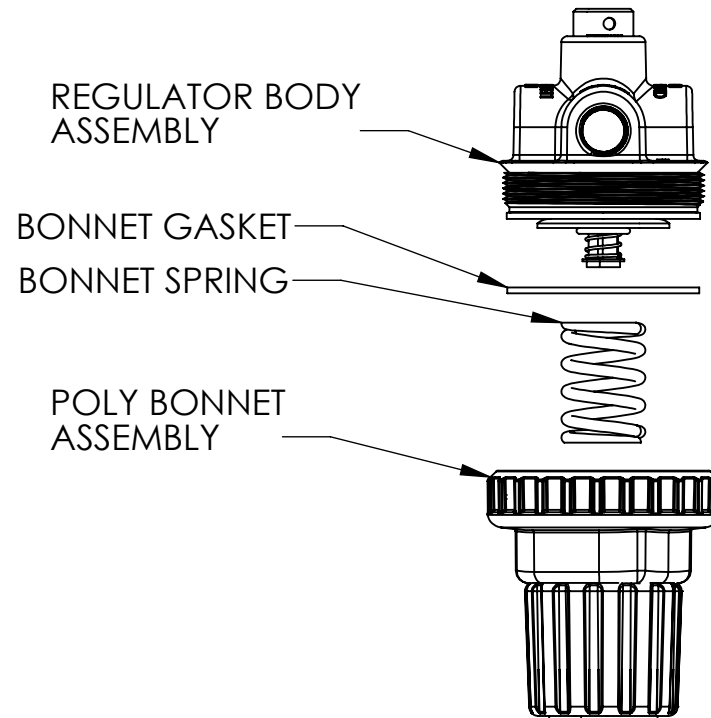
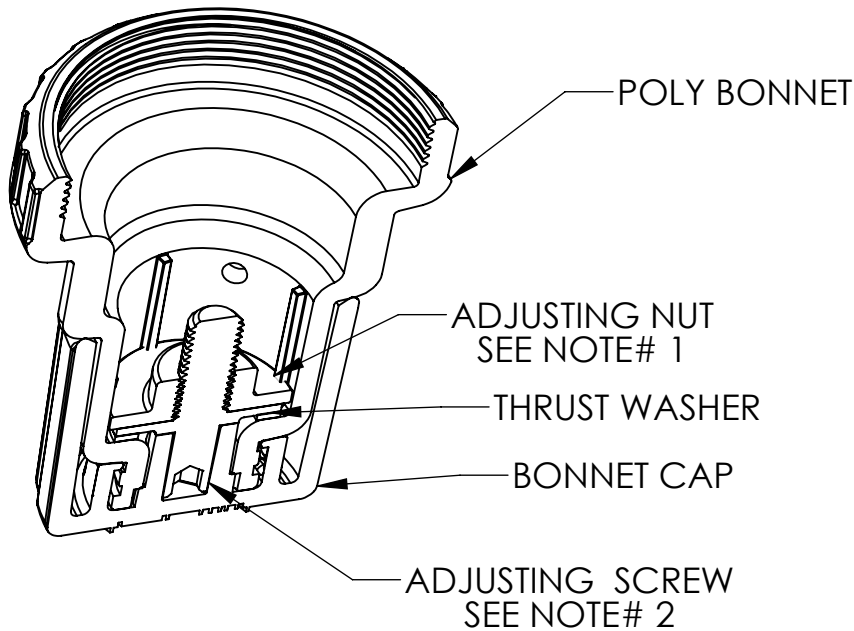


3248 NORTHWESTERN, \* SAN ANTONIO, TX 78238 \* TEL: 800-779-8488

PART NO. 42-0002-00  
REV. A DATED: 12/08/09

# POLY BONNET REPLACEMENT INSTRUCTIONS (ASSEMBLY)

A 1-5/8" or adjustable wrench is required to tighten the Poly bonnet



## NOTES:

1. Insure adjustment nut grooves are aligned with bonnets ribs.
2. Adjusting screw head should be seated. Pull bonnet cap to adjust and then turn until screw/nut assembly drops down into cap.

**STEP 3.** Once you are sure the adjustment screw/nut is seated. Drop the Bonnet spring and bonnet gasket into the bonnet assembly.

**STEP 4.** Screw the bonnet assembly onto the Regulator body and tighten with 1-5/8" or adjustable wrench.