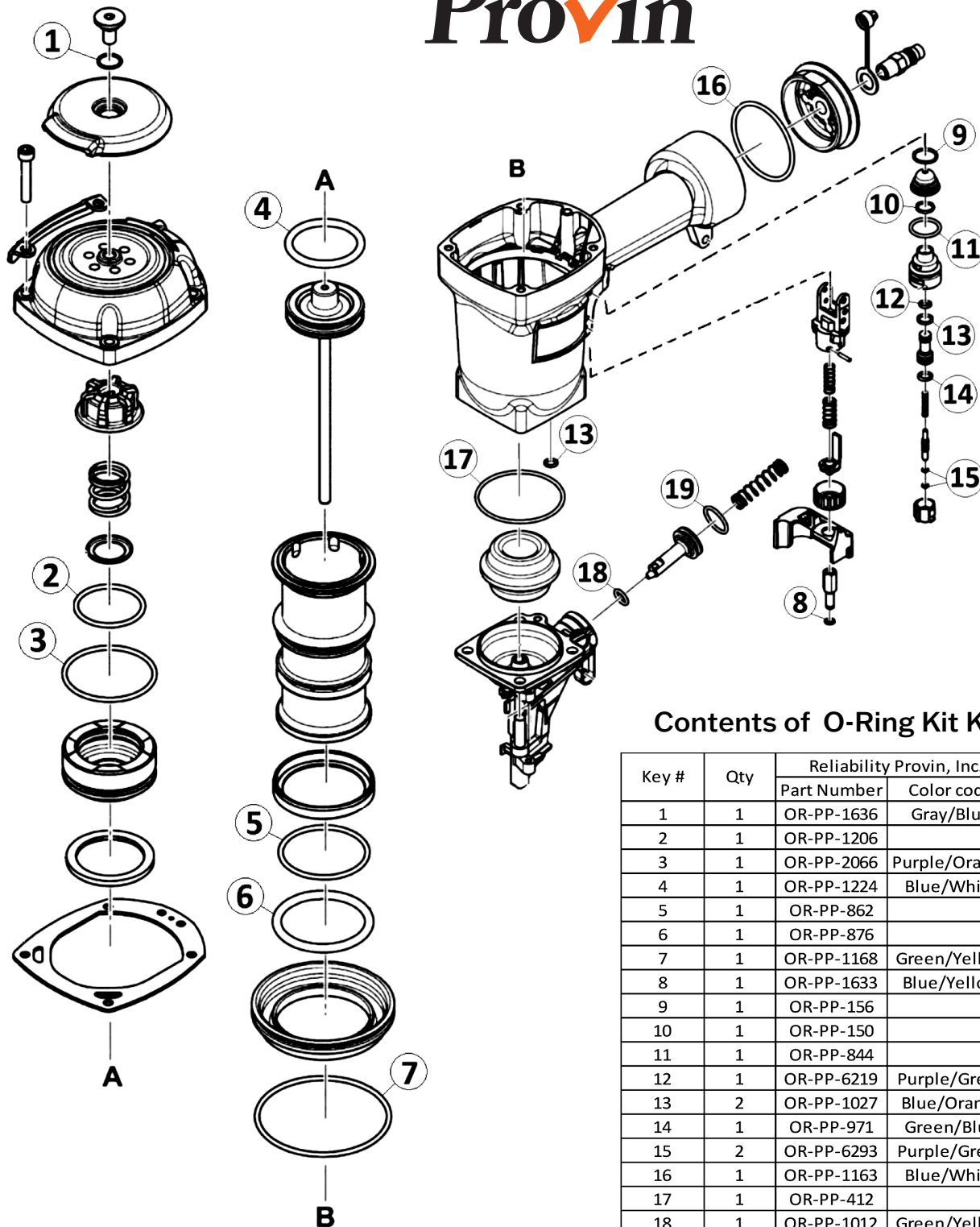


RELIABILITY™

Provin



Contents of O-Ring Kit KT-HA-075

Key #	Qty	Reliability Provin, Inc.		Equivalent OEM Part
		Part Number	Color code	
1	1	OR-PP-1636	Gray/Blue	888410
2	1	OR-PP-1206		888419
3	1	OR-PP-2066	Purple/Orange	888420
4	1	OR-PP-1224	Blue/White	888422
5	1	OR-PP-862		888425
6	1	OR-PP-876		888426
7	1	OR-PP-1168	Green/Yellow	888428
8	1	OR-PP-1633	Blue/Yellow	888490
9	1	OR-PP-156		888433
10	1	OR-PP-150		888445
11	1	OR-PP-844		888435
12	1	OR-PP-6219	Purple/Green	888436
13	2	OR-PP-1027	Blue/Orange	888446
14	1	OR-PP-971	Green/Blue	888438
15	2	OR-PP-6293	Purple/Green	888440
16	1	OR-PP-1163	Blue/White	888457
17	1	OR-PP-412		888459
18	1	OR-PP-1012	Green/Yellow	888462
19	1	OR-PP-1117	Green	888464

*Generously grease all O-rings at time of assembly

Note: Read and understand the safety information printed on the reverse side before repairing any tools.
 Nota: Lea y comprende la información de seguridad impresa al reverso antes de reparar cualquier herramienta.

5/8/2018

Exploded View and O-ring List for
 HITACHI NV75AN

VL-HA-075

CAUTION**CAUTION****CAUTION**

ALWAYS WEAR SAFETY GLASSES WITH SIDE SHIELDS WHEN USING PNEUMATICALLY OPERATED FASTENER DRIVING TOOLS

NEVER POINT THE TOOL AT YOURSELF OR ANYONE ELSE

NEVER BYPASS OR REMOVE ANY SAFETY DEVICE

ALWAYS FOLLOW THE ORIGINAL MANUFACTURE'S SAFETY AND SERVICE INSTRUCTION

NEVER ATTEMPT TO SERVICE OR REPAIR A PNEUMATICALLY OPERATED TOOL WITH THE COMPRESSES AIR LINE CONNECTED TO THE TOOL

NEVER LEAVE A PNEUMATICALLY OPERATED TOOL UNATTENDED WITH THE COMPRESSES AIR LINE CONNECTED

ALWAYS FOLLOW THE ORIGINAL TOOLS MANUFACTURE'S DISASSEMBLY, ASSEMBLY, AND TOOL INSPECTION PROCEDURES

PRECAUTION**PRECAUTION****PRECAUTION**

SIEMPRE USE LENTES DE SEGURIDAD CON PROTECTORES LATERALES AL USAR HERRAMIENTAS DE IMPULSO CON SUJETADOR DE OPERACIÓN NEUMÁTICA

NUNCA APUNTE A SI MISMO O A OTRA PERSONA CON LA HERRAMIENTA

NUNCA EVITE O RETIRE ALGÚN DISPOSITIVO DE SEGURIDAD

SIEMPRE SIGA LAS INSTRUCCIONES DE SEGURIDAD Y SERVICIO DEL FABRICANTE ORIGINAL DE LA HERRAMIENTA

NUNCA INTENTE HACER MANTENIMIENTO O REPARAR UNA HERRAMIENTA DE OPERACIÓN NEUMÁTICA CON LA LINEA DE AIRE COMPRIMIDO CONECTADA A LA HERRAMIENTA

NUNCA DEJE SIN ATENCION UNA HERRAMIENTA DE OPERACIÓN NEUMÁTICA CON LA LINEA DE AIRE COMPRIMIDO CONECTADA

SIEMPRE SIGA LOS PROCEDIMIENTOS DE DESMONTAJE, MONTAJE, E INSPECCIÓN DEL FABRICANTE ORIGINAL DE LA HERRAMIENTA

O-Ring Kit KT-HA-075

For use on the following tool models.
Kit contains all O-Rings in these tools.

HITACHI

NV75AN

