



McGuire Manufacturing Co., Inc.

60 Grandview Court
 Cheshire, Connecticut 06410
 (203) 699-1801 Fax (203) 699-1813
 customerservice@mcguiremfg.com mcguiremfg.com

PRODUCT SPECIFICATION

Part No.

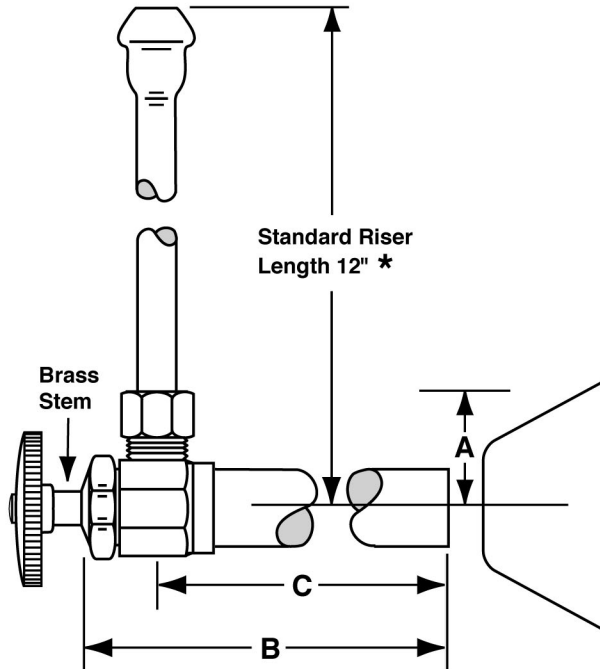
LF170ECO

**Sweat Lavatory Supply
 with 5" Extension**

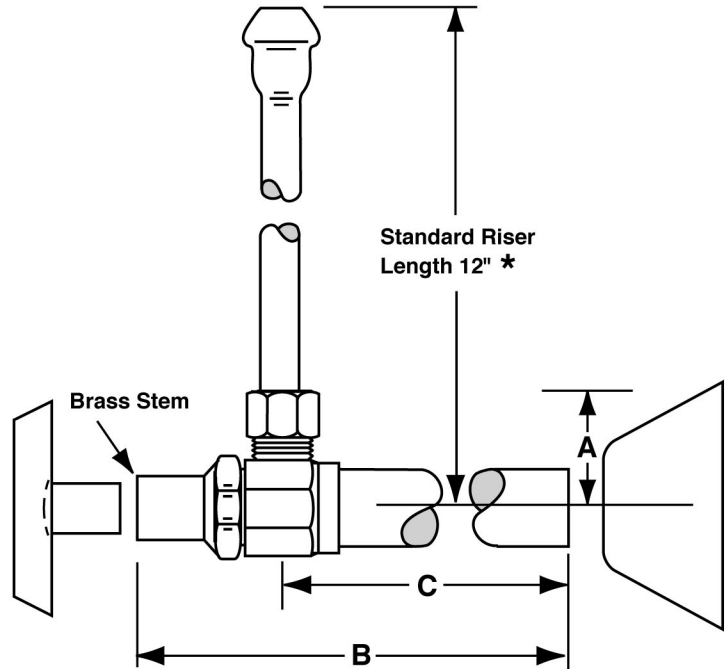
Job Name:

Submittal Number:

**Wheel Handle
 with 5"
 Extension Tube**



**Loose Key
 with 5"
 Extension Tube**



NO.	DESCRIPTION	ROUGHING MEASUREMENTS		
		A	B	C
LF170ECO	1/2" Sweat x 3/8" O.D.	1"	6-1/4"	5-1/2"

- Rated Operating Pressure: 20-125 PSI
- Rated Operating Temperature: 40-140°F
- Note: 180°F max. during temporary high-temperature system flush

LK designates Loose Key

* See options and accessories section for details on product variations.



Specifications:

Supply kit shall include lead free chrome plated brass supply stop valves with full turn brass stem, no plastic, (12, 15, 20) inch chrome plated risers and (shallow, deep, bell) (steel, brass) or (forged brass with set screw) flange. Inlet shall be (3/8, 1/2) inch (IPS, sweat, compression). Outlet shall be (3/8, 1/2) inch (IPS, compression). Supply kit shall be McGuire _____. Supply kit shall be certified by recognized authority and bear manufacturer and testing mark.

! WARNING:

This product can expose you to chemicals including lead, which is known to the State of California to cause cancer, and birth defects or other reproductive harm. For more information go to www.P65Warnings.ca.gov.