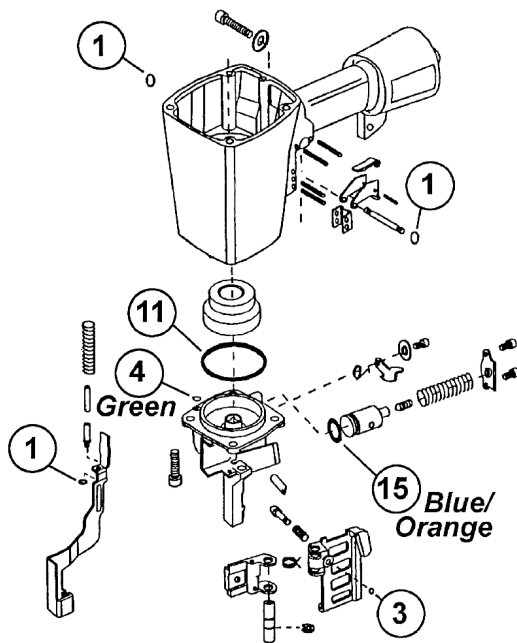
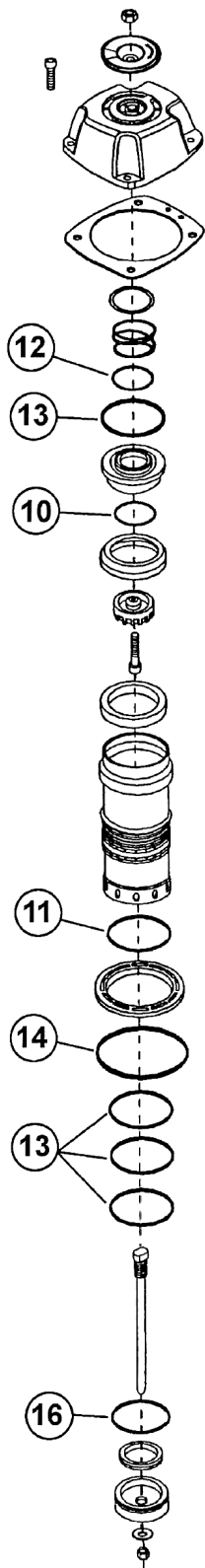


RELIABILITY™

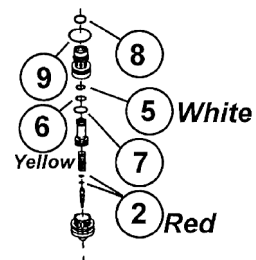
Provin

Contents of O-Ring Kit KT-DF-760

Key Number	Quantity	Performance Provin		DuoFast Part Number
		Part Number	Color Code	
1	3	OR-PP-130		OR-003-70N
2	2	OR-PP-132	Red	OR-004-70L
3	1	OR-PP-132U		OR-004-70P
4	1	OR-PP-138A	Green	OR-007-60N
5	1	OR-PP-144B	White	OR-010-85N
6	1	OR-PP-146B	Yellow	OR-011-90N
7	1	OR-PP-148		OR-012-70L
8	1	OR-PP-150		OR-013-70N
9	1	OR-PP-156U		OR-016-70P
10	1	OR-PP-180U		OR-028-70P
11	2	OR-PP-194		OR-035-70N
12	1	OR-PP-372		OR-124-70L
13	4	OR-PP-402		OR-139-70L
14	1	OR-PP-424		OR-150-70L
15	1	OR-PP-538E	Blue / Orange	OR-207-80N
16	1	OR-PP-574U		OR-225-70P



Trigger Valve



*Generously grease all O-rings at time of assembly

Note: Read and understand the safety information printed on the reverse side before repairing any tools.
 Nota: Lea y comprende la información de seguridad impresa al reverso antes de reparar cualquier herramienta.

6/14/05

Exploded View and O-ring List for
 DUO-FAST RCN70/275A & RCN70/60A

VL-DF-30

CAUTION**CAUTION****CAUTION**

ALWAYS WEAR SAFETY GLASSES WITH SIDE SHIELDS WHEN USING PNEUMATICALLY OPERATED FASTENER DRIVING TOOLS

NEVER POINT THE TOOL AT YOURSELF OR ANYONE ELSE

NEVER BYPASS OR REMOVE ANY SAFETY DEVICE

ALWAYS FOLLOW THE ORIGINAL MANUFACTURE'S SAFETY AND SERVICE INSTRUCTION

NEVER ATTEMPT TO SERVICE OR REPAIR A PNEUMATICALLY OPERATED TOOL WITH THE COMPRESSES AIR LINE CONNECTED TO THE TOOL

NEVER LEAVE A PNEUMATICALLY OPERATED TOOL UNATTENDED WITH THE COMPRESSES AIR LINE CONNECTED

ALWAYS FOLLOW THE ORIGINAL TOOLS MANUFACTURE'S DISASSEMBLY, ASSEMBLY, AND TOOL INSPECTION PROCEDURES

PRECAUTION**PRECAUTION****PRECAUTION**

SIEMPRE USE LENTES DE SEGURIDAD CON PROTECTORES LATERALES AL USAR HERRAMIENTAS DE IMPULSO CON SUJETADOR DE OPERACIÓN NEUMÁTICA

NUNCA APUNTE A SI MISMO O A OTRA PERSONA CON LA HERRAMIENTA

NUNCA EVITE O RETIRE ALGÚN DISPOSITIVO DE SEGURIDAD

SIEMPRE SIGA LAS INSTRUCCIONES DE SEGURIDAD Y SERVICIO DEL FABRICANTE ORIGINAL DE LA HERRAMIENTA

NUNCA INTENTE HACER MANTENIMIENTO O REPARAR UNA HERRAMIENTA DE OPERACIÓN NEUMÁTICA CON LA LINEA DE AIRE COMPRIMIDO CONECTADA A LA HERRAMIENTA

NUNCA DEJE SIN ATENCION UNA HERRAMIENTA DE OPERACIÓN NEUMÁTICA CON LA LINEA DE AIRE COMPRIMIDO CONECTADA

SIEMPRE SIGA LOS PROCEDIMIENTOS DE DESMONTAJE, MONTAJE, E INSPECCIÓN DEL FABRICANTE ORIGINAL DE LA HERRAMIENTA

O-Ring Kit

KT-DF-760

For use on the following tool models.
Kit contains all O-Rings in these tools.

DUO-FAST

RCN-1748A

RCN-1748B

RCN-70/275A

RCN-70/60A



7 1 2 2 1 8 0 0 1 2 6 6