



CONVECTION OVEN

CONCEPT

COUNTERTOP CONVECTION OVENS

*From pastries to entrees...
Bakes fast and evenly, intensifies and seals in flavor*

- Stainless steel exterior and interior construction
- 2 or 3 wire rack models; 4 bake tray capacity
- Rear fan and heater assembly creates true convection pattern
- Unique air flow design ensures quick and uniform baking
- 480°F thermostat and 120 minute timer
- Safety glass door with handle
- Aluminum bake pan included
- Compact footprint

WINDSTAR

FC-26 /1
120 V

FC-26
208/240 V



CAPACITY: 2 wire racks and 1 bake tray included;
4 bake trays (not included)

BRIZA

FC-280V/1
120 V

FC-280V
208/240 V



SIROCCO

FC-34/1
120 V

FC-34
208/240 V



CAPACITY: 3 wire racks and 1 bake tray included;
4 bake trays (not included)

TEMPEST

FC-33/1
120 V

FC-33
208/240 V



Convection oven/broiler

All features of FC-34 with two quartz heating elements overhead - convection and broiling modes operate separately



765 WESTMINSTER STREET PROVIDENCE, RI 02903
TEL: (401)273-3300 FAX: (401)273-3328 E-mail: sales@equipex.com
www.equipex.com





CONVECTION OVEN/BROILER

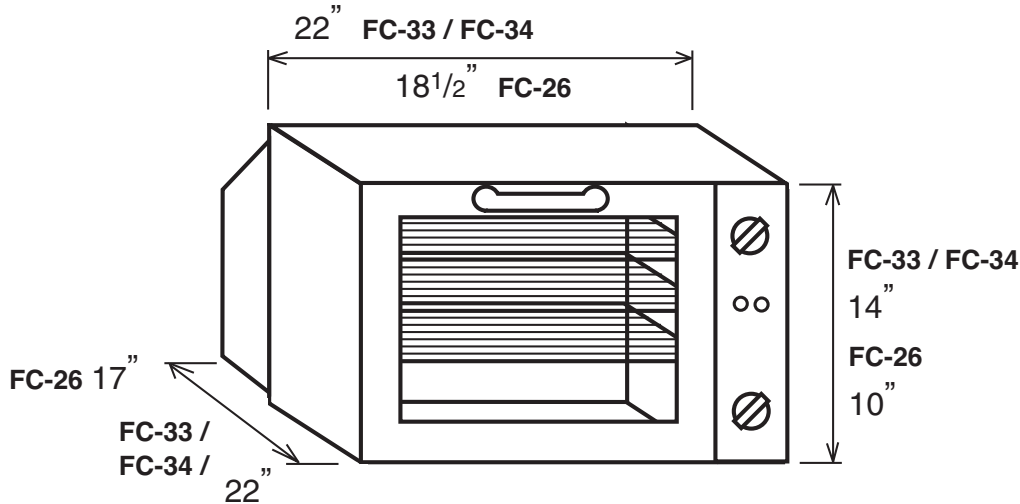
FC-33/1

FC-33

All features of FC-34 with two quartz heating elements overhead - convection and broiling modes operate separately

CONVECTION OVENS

FC-26, FC-26/1, FC-34, FC-34/1



INSTALLATION CLEARANCE: 2" EACH SIDE, TOP AND 3" AT BACK

SPECIFICATIONS

MODEL	ELECTRICAL	EXTERIOR DIMENSIONS	INTERIOR DIMENSIONS	SHIPPING WEIGHT	NEMA
FC-26	208/240V, 1PH, 2KW, 7/9 Amps	18 ¹ / ₂ "Wx17"Dx10"H	14"Wx12"Dx9"H	35 lbs	6-15 P
FC-26/1	120V, 1.7KW, 15 Amps	18 ¹ / ₂ "Wx17"Dx10"H	14"Wx12"Dx9"H	35 lbs	5-15 P
FC-33	208/240V, 1PH, 3KW, 13/15 Amps	22"Wx22"Dx14"H	16 ³ / ₈ "Wx13 ³ / ₄ "Dx10 ³ / ₈ "H	45 lbs	6-15 P
FC-33/1	120V, 1.7KW, 15 Amps	22"Wx22"Dx14"H	16 ³ / ₈ "Wx13 ³ / ₄ "Dx10 ³ / ₈ "H	45 lbs	5-15 P
FC-34	208/240V, 1PH, 3KW, 13/15 Amps	22"Wx22"Dx14"H	16 ³ / ₈ "Wx13 ³ / ₄ "Dx10 ³ / ₈ "H	45 lbs	6-15 P
FC-34/1	120V, 1.7KW, 15 Amps	22"Wx22"Dx14"H	16 ³ / ₈ "Wx13 ³ / ₄ "Dx10 ³ / ₈ "H	45 lbs	5-15 P
FC-280V	208/240V, 1PH, 2KW, 7/9 Amps	14 ¹ / ₂ "Wx21 ¹ / ₈ "Dx19 ¹ / ₂ "H	10 ¹ / ₄ "Wx12 ⁵ / ₈ "Dx13"H	44 lbs	6-15 P
FC-280V/1	120V, 1.7KW, 15 Amps	14 ¹ / ₂ "Wx21 ¹ / ₈ "Dx19 ¹ / ₂ "H	10 ¹ / ₄ "Wx12 ⁵ / ₈ "Dx13"H	44 lbs	5-15 P

WARRANTY: Limited one year parts and labor



765 WESTMINSTER STREET PROVIDENCE, RI 02903
 TEL: (401)273-3300 FAX: (401)273-3328 E-mail: sales@equipex.com
 www.equipex.com