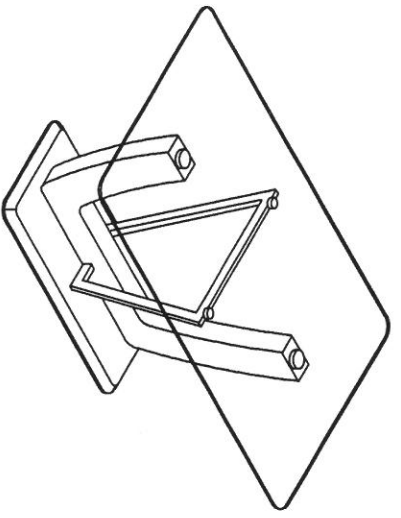
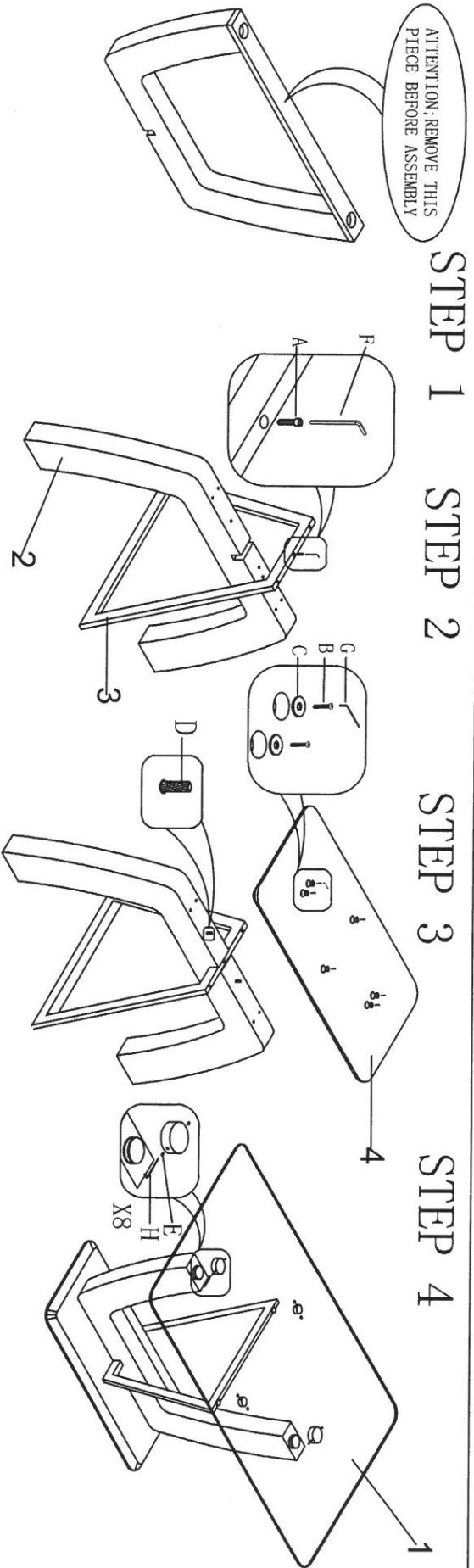


ASSEMBLY INSTRUCTION

ITEM NAME: BENTLEY

MODEL NUMBER: G5009-41/G5009-45/G5009-47 TABLE

ATTENTION: REMOVE THIS
PIECE BEFORE ASSEMBLY



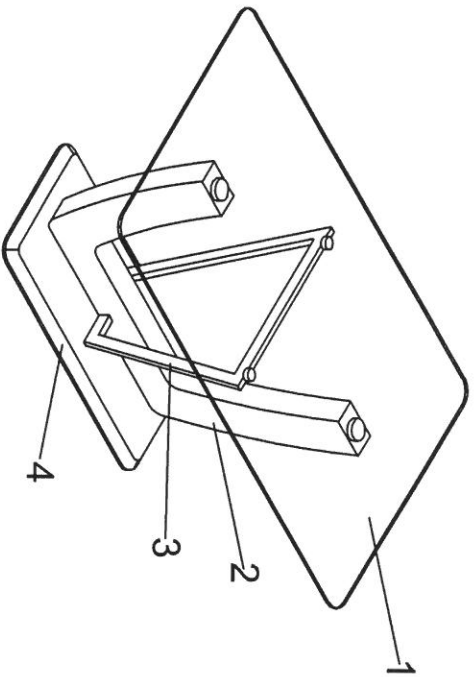
Attention: When assembly is complete, set the table upright on its base. With at least 2 people, carefully lift the table up from underneath the glass and rotate onto the base

Caution:
Do not use the base to lift.
Do not lean or support the table on the side of the base as damage may occur

When moving the table make sure to pick up the table and place in desired location. Damage can occur if the legs are dragged across the floor.

CODE	DESCRIPTION	QTY
A	M8*20mm	1pc
B	M8*45mm	6pcs
C	Φ8*22mm	6pcs
D	Φ8*30mm	2pcs
E	M6*8mm	8pcs
F	M6	1pc
G	M5	1pc
H	M4	1pc

ASSEMBLY INSTRUCTION



	Part Description	Quantity
1	Top Glass	1
2	MDF Leg	1
3	Metal Leg	1
4	Base	1