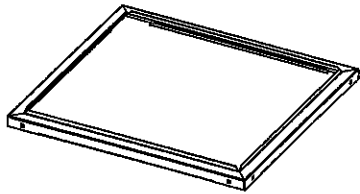




# LS-1522-KD & LS-2123-KD ASSEMBLY INSTRUCTIONS

## PARTS LIST:



(A) TOP FRAME (1 ea)



(B) LEG (4 ea)



(C) NYLOCK NUT (8 ea)

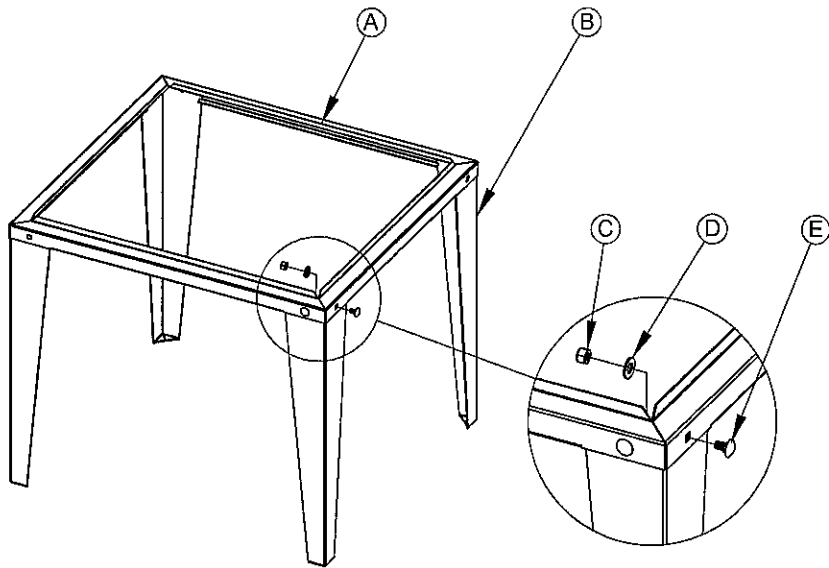


(D) FLAT WASHER (8 ea)



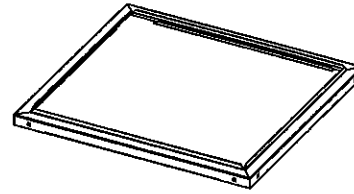
(E) CARRIAGE BOLT (8 ea)

\*7/16" CLOSED WRENCH OR SOCKET RECOMMENDED FOR ASSEMBLY\*



# LS-1522-KD & LS-2123-KD ASSEMBLY INSTRUCTIONS

## PARTS LIST:



(A) TOP FRAME (1 ea)



(B) LEG (4 ea)



(C) NYLOCK NUT (8 ea)



(D) FLAT WASHER (8 ea)



(E) CARRIAGE BOLT (8 ea)

\*7/16" CLOSED WRENCH OR SOCKET RECOMMENDED FOR ASSEMBLY\*

