



STAINLESS STEEL MIXER TABLES



(Optional Casters Shown)



Item #: _____ **Qty #:** _____

Model #: _____

Project #: _____

UTENSIL RACK & UNDERSHELF

Width x Length	S/S Base	Galv. Base	Weight
24" x 24"	MX-SS-242	MX-GL-242	53 lbs.
30" x 24"	MX-SS-302	MX-GL-302	63 lbs.
30" x 30"	MX-SS-300	MX-GL-300	77 lbs.
30" x 36"	MX-SS-303	MX-GL-303	77 lbs.
36" x 36"	MX-SS-363	MX-GL-363	85 lbs.

FEATURES:

TOP is furnished with a 2" x 1" square die embossed NO-DRIP countertop offset edge with a 1/2" return on 4 sides.

Aluminum die cast "leg-to-shelf" clamp secures shelf to leg eliminating unsightly nuts and bolts. Undersheff is adjustable.

MATERIAL:

MX-SS & MT-SS SERIES - Stainless Steel Base

TOP is 14 gauge stainless steel type "304" series with galvanized understructure.

UNDERSHELF is 18 gauge stainless steel.

LEGS are 1 5/8" diameter tubular stainless steel with stainless steel bullet feet & gussets.

UTENSIL RACK on MX-SS Series is 1 5/8" dia. stainless steel tubing with stainless steel hooks.

MX-GL & MT-GL Series - Galvanized Steel Base

TOP is 14 gauge stainless steel type "304" series with galvanized understructure.

UNDERSHELF is galvanized steel.

LEGS are 1 5/8" diameter, tubular galvanized steel. Gussets are galvanized steel with 1" adjustable plastic bullet feet.

UTENSIL RACK on MX-SS Series is 1 5/8" diameter galvanized steel tubing with stainless steel hooks.

SAG-MT & AG-MT Budget Series

TOP is heavy gauge stainless steel type "430" series with galvanized understructure.

SAG-MT Series UNDERSHELF is 18 gauge stainless steel.

AG-MT Series UNDERSHELF is galvanized steel.

SAG-MT Series LEGS are 1 5/8" diameter, tubular stainless steel. Gussets are stainless steel. 1" adjustable stainless steel bullet feet.

AG-MT Series LEGS are 1 5/8" diameter, tubular galvanized steel. Gussets are galvanized steel. 1" adjustable plastic bullet feet.

WITH UNDERSHELF

Width x Length	S/S Base	Galv. Base	Weight
24" x 24"	MT-SS-242	MT-GL-242	53 lbs.
30" x 24"	MT-SS-302	MT-GL-302	63 lbs.
30" x 30"	MT-SS-300	MT-GL-300	77 lbs.
30" x 36"	MT-SS-303	MT-GL-303	77 lbs.
36" x 36"	MT-SS-363	MT-GL-363	85 lbs.

BUDGET SERIES WITH UNDERSHELF

Width x Length	S/S Base	Galv. Base	Weight
24" x 24"	SAG-MT-242	AG-MT-242	53 lbs.
30" x 24"	SAG-MT-302	AG-MT-302	63 lbs.
30" x 30"	SAG-MT-300	AG-MT-300	77 lbs.
30" x 36"	SAG-MT-303	AG-MT-303	77 lbs.
36" x 36"	SAG-MT-363	AG-MT-363	85 lbs.

CONSTRUCTION:

All TIG welded. Exposed weld areas polished to match adjacent surface.

Entire Top is mechanically polished to a satin finish and is sound deadened. Countertop edge polished to a MIRROR FINISH.

Roll formed embossed galvanized hat channels are secured to top by means of structural adhesive and weld studs.

Gussets welded to support hat channels.



Customer Service Available To Assist You 1-800-645-3166 8:30 am - 8:00 pm E.S.T.

Email Orders To: customer@advancetabco.com. For Smart Fabrication™ Quotes, Email To: smartfab@advancetabco.com or Fax To: 631-586-2933

NEW YORK
Fax: (631) 242-6900

GEORGIA
Fax: (770) 775-5625

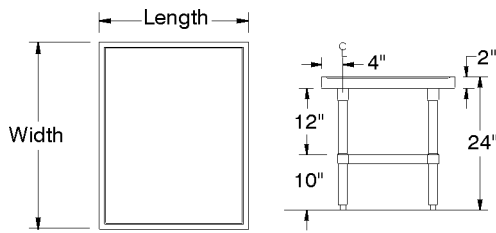
TEXAS
Fax: (972) 932-4795

NEVADA
Fax: (775) 972-1578

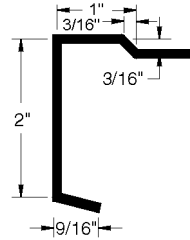
DETAILS and SPECIFICATIONS

TOL \pm .500"

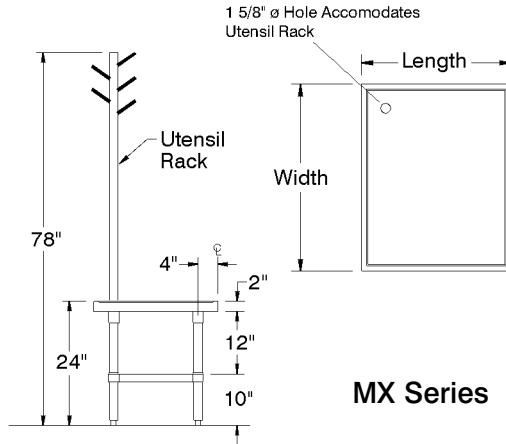
ALL DIMENSIONS ARE TYPICAL



MT, SAG & AG Series



Countertop Edge Detail



MX Series

