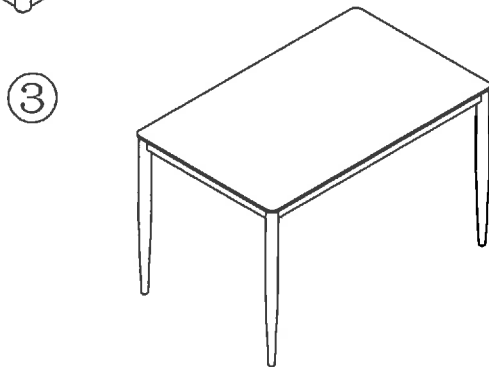
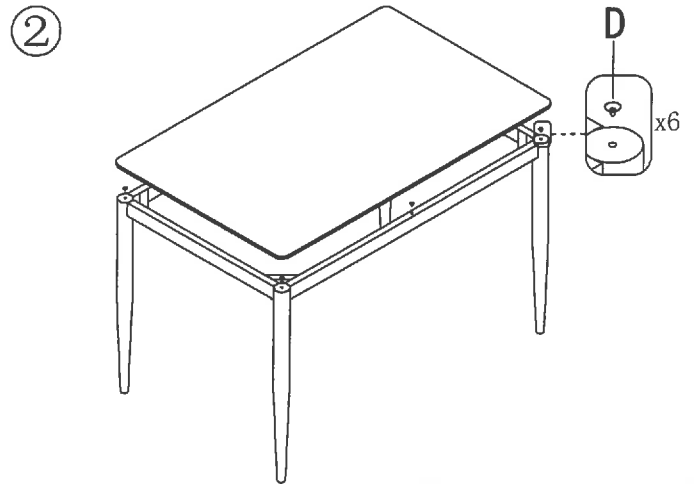
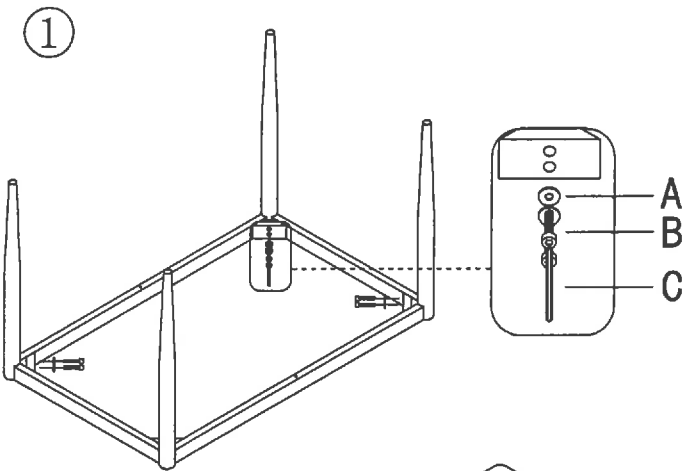






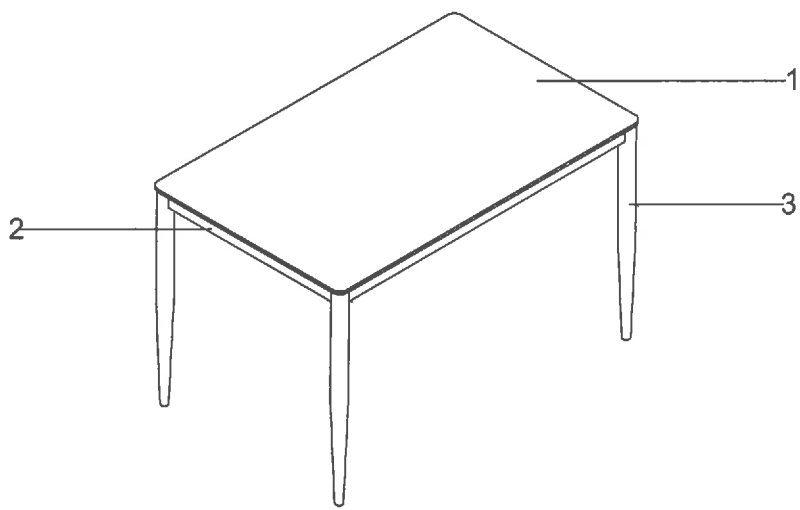
ASSEMBLY INSTRUCTION




ITEM NAME:ATOM

MODEL NUMBER:G5020-41/G5020-47 TABLE



HARDWARE							
A	x8		Φ8x22mm	D	x6		Φ22*15*5
B	x8		M8x65mm				
C			M8				



		Part Description	Quantity
G5020-41	1		1
G5020-47	2		1
G5020-47	3		4
G5020-47	HDWR	Hardware pack	1