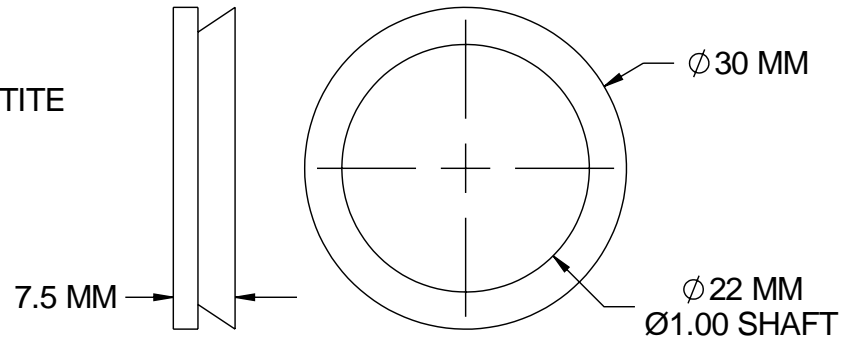
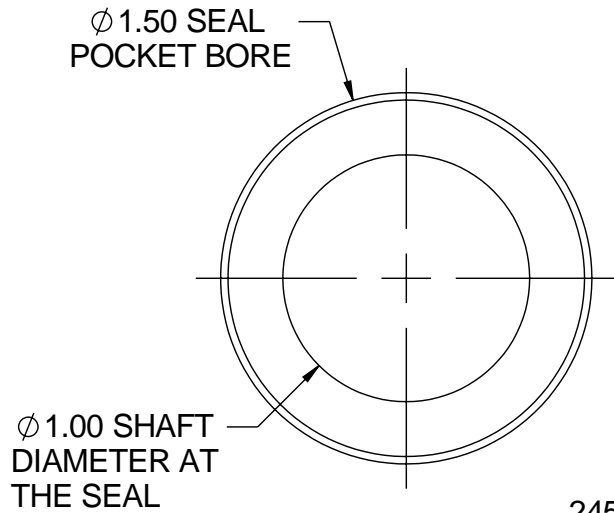


NOTES :

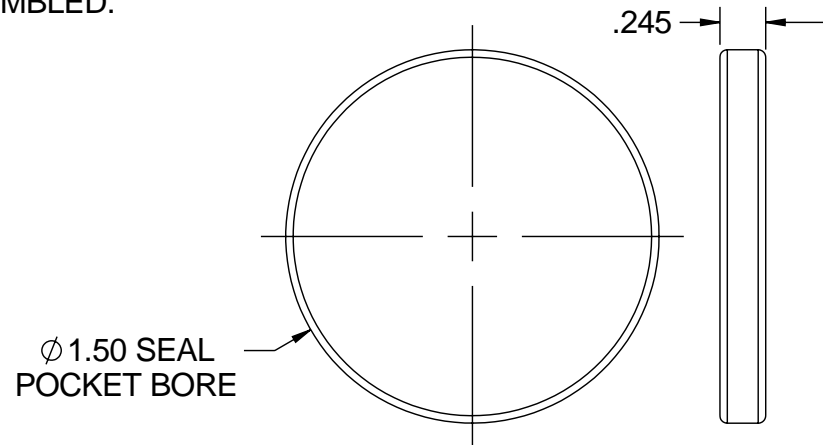
1. KIT CONTAINS:
 ONE .5 OZ TUBE- 598 BLACK LOCTITE
 THREE - 209843 SEALS
 ONE - 200301 END CAP
 TWO - 10V25A V-RING




2X V-RING RUBBER SEAL,
 PART NUMBER 10V25A
 INSTALL AFTER THE GEARBOX
 IS ASSEMBLED.



3X NITIRLE SEAL, PART NUMBER- 209843
 (ONLY 2 WILL BE USED IN A 2 SHAFT GEARBOX)



1X SOLID END CAP, PART NUMBER- 200301
 (NOT USED WITH A 3 SHAFT GEARBOX)

 SUPERIOR GEARBOX COMPANY WWW.SUPERIORGEARBOXDIRECT.COM		
KIT, SEAL, R200, 1.00" SHAFTS, W/V-RING		
SIZE B	PART NO. R200-8Z00-L0344	REV -
SCALE 1:1	DO NOT SCALE DRAWING	SHEET 1 OF 1