

# HIGH BAY RETROFITS ULTRA BRIGHT PERFORMANCE



VOLTAGE**	MOGUL BASE	INSTALL METHOD	OPERATING TEMP	ACTIVE COOLING	SURGE PROTECTION	CRI	RATED LIFE	WARRANTY

## designed to perform



LED-8030M  
Design Patent D723,194

- Available in 100W and 140W models replacing up to 400W HID.
- Advanced active cooling. Energetic cooling fan & dynamic temp control supports a longer, brighter life.
- Pretested & potted drivers are burnt in 3x prior to shipping and protected against vibration & moisture.
- Expertly engineered to work efficiently in enclosed fixtures & damp environments, while also protected against insects & dust.
- Dual stage MOV protection with integrated 6kA surge.
- USA designed & specified LED driver.

reliable performance  
for high ceiling fixtures

PART #	UPC	REPLACES	WATTAGE	LUMENS	LPW	CCT (K)*	BASE
LED-8036M57-A	844006081140	250W HID	100W	10798	108	5700K	EX39
LED-8030M57-A	844006081003	400W HID	140W	15911	114	5700K	EX39
LED-8032M57-A	844006081515	400W HID	140W	16605	119	5700K	EX39

\* See page 2 for additional color temperatures.

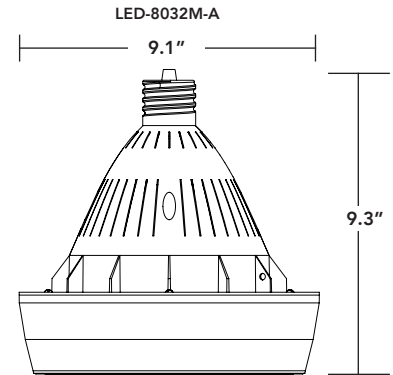
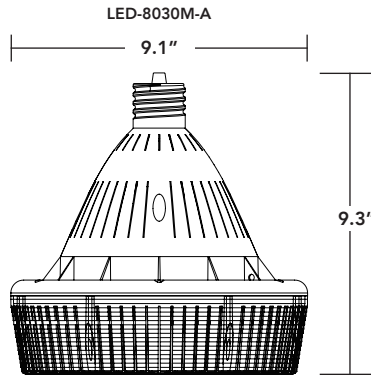
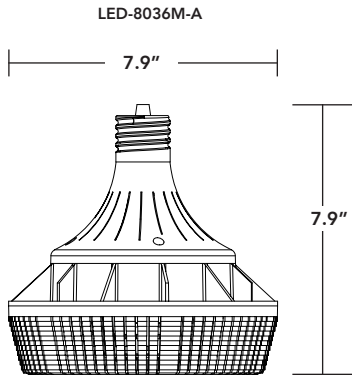
\*\* See page 2 for 347 volt options for Canada.



FOR PRODUCT INFO ("LED" MODEL #) CONTACT.....Light Efficient Design • 188 S. Northwest Highway • Cary, IL 60013 • 847.380.3540 • led-llc.com  
 FOR PRODUCT INFO ("RP" MODEL #) CONTACT.....RemPhos by Light Efficient Design • 30 Log Bridge Road, Building 200 • Middleton, MA 01949 • 877.997.3674 • remphos.com

09.19.18 Information is subject to change without notice.

# HIGH BAY RETROFITS ULTRA BRIGHT PERFORMANCE



## ORDERING GUIDE

PART #	UPC	REPLACES	WATTAGE	LUMENS	LPW	CCT (K)	BASE
LED-8036M40-A	844006081133	250W HID	100W	10656	107	4000K	EX39
LED-8036M57-A	844006081140	250W HID	100W	10798	108	5700K	EX39
LED-8030M40-A	844006080082	400W HID	140W	15763	113	4000K	EX39
LED-8030M57-A	844006080303	400W HID	140W	15911	114	5700K	EX39
LED-8032M40-A	844006081508	400W HID	140W	16407	117	4000K	EX39
LED-8032M57-A	844006081515	400W HID	140W	16605	119	5700K	EX39

## 347 VOLT OPTIONS FOR CANADA

PART #	UPC	REPLACES	WATTAGE	LUMENS	LPW	CCT (K)	BASE
LED-8036M40C-A	844006081263	250W HID	100W	10902	109	4000K	EX39
LED-8036M57C-A	844006081270	250W HID	100W	11015	110	5700K	EX39
LED-8030M40C-A	844006080990	400W HID	140W	15667	112	4000K	EX39
LED-8030M57C-A	844006081003	400W HID	140W	15966	114	5700K	EX39
LED-8032M40C-A	844006081737	400W HID	140W	16668	119	4000K	EX39
LED-8032M57C-A	844006081744	400W HID	140W	16923	121	5700K	EX39



FOR PRODUCT INFO ("LED" MODEL #) CONTACT.....Light Efficient Design • 188 S. Northwest Highway • Cary, IL 60013 • 847.380.3540 • led-llc.com  
 FOR PRODUCT INFO ("RP" MODEL #) CONTACT.....RemPhos by Light Efficient Design • 30 Log Bridge Road, Building 200 • Middleton, MA 01949 • 877.997.3674 • remphos.com

09.19.18 Information is subject to change without notice.