



| <u>SKU</u> | <u>Description</u> |
|-------------|--------------------|
| LED-8085M30 | 60W 3000K |
| LED-8085M42 | 60W 4200K |
| LED-8085M57 | 60W 5700K |

Notes:

1. Before beginning installation of LED for HID lamp, please read the complete instructions list below. Keep this document for future reference
2. To avoid possible electric shock, power supply must be turned off at fuse box or circuit breaker before installing or servicing.
3. Dropping, over torqueing screw base or impacting lamp during installation may cause damage and may void warranty.
4. Risk of Fire: High voltage wiring connecting the fixture must have a temperature rated minimum of 194°F.
5. Before installation of any LED for HID model into existing HID fixture, check your local electrical code. This code sets wiring standards for your area and should carefully studied before starting installation
6. Protect the lamp from dust and dirt, clean with soft damp cloth only, do not use chemical cleaners.
7. Ensure that outdoor fixture is sealed per manufacturers recommendations to reduce dust and insects from gaining entry.
8. When installing 8000 series with external drivers within HID fixtures, ballast must be removed and replaced with supplied LED driver. LED driver must be connected properly per instructions below or non-repairable/warranted damage to driver can occur.
9. 8000 series retrofits are UL damp rated, sealing the fixtures after installation will deliver best results.
10. The recessed luminaire can not use with through-branch wiring.

Contents:

- 1 PCS** LED Retrofit lamp
- 1 PCS** Re-lamping label
- 1 PCS** Instruction/ Installation Manual
- 1 PCS** External driver

REQUIREMENTS

| | |
|------------------------------------|-----------------------|
| Input Voltage: | 120-277V |
| Frequency: | 50/60Hz |
| Base: | E39 Mogul |
| Approved Housings: | Recessed |
| | Fully Enclosed |
| | Open (indoor) |
| Min. Housing Size: (Inches) | |
| Height: | 10.7" |
| Diameter: | 4.5" |



IMPORTANT SAFETY INSTRUCTIONS FOR LED RETROFIT CONVERSION:

FOR USE ONLY WITH HID LUMINAIRES IN ACCORDANCE WITH THE INSTRUCTIONS PROVIDED WITH THIS RETROFIT KIT.

- ⚠ WARNING - RISK OF FIRE OR ELECTRICAL SHOCK.** LED retrofit kit installation requires knowledge of luminaires electrical systems. If not qualified, do not attempt installation. Contact a qualified electrician.
- ⚠ WARNING - RISK OF FIRE OR ELECTRICAL SHOCK.** Install this kit only in the luminaires that have the construction features and dimensions shown in the photographs and/or drawings and where the input rating of the retrofit kit does not exceed the input rating of the luminaire.
- ⚠ WARNING -** Do not make or alter any open holes in an enclosure of wiring or electrical components during kit installation.
- ⚠ WARNING -** To prevent wiring damage or abrasion, do not expose wiring to sharp edges of housing or other sharp surface.
- ⚠ WARNING -** Suitable for wet environments. Not for use with HID ballast, Connect LED driver to 120-277VAC direct line voltage only. Follow wiring instructions below. Suitable for use with 0-10V, PWM, or resistive dimming methods. Suitable for enclosed fixtures.

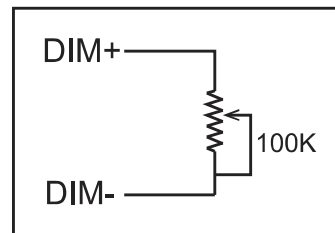
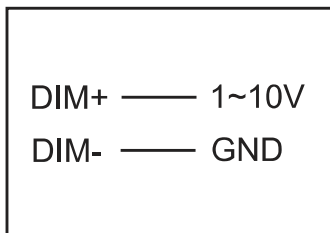
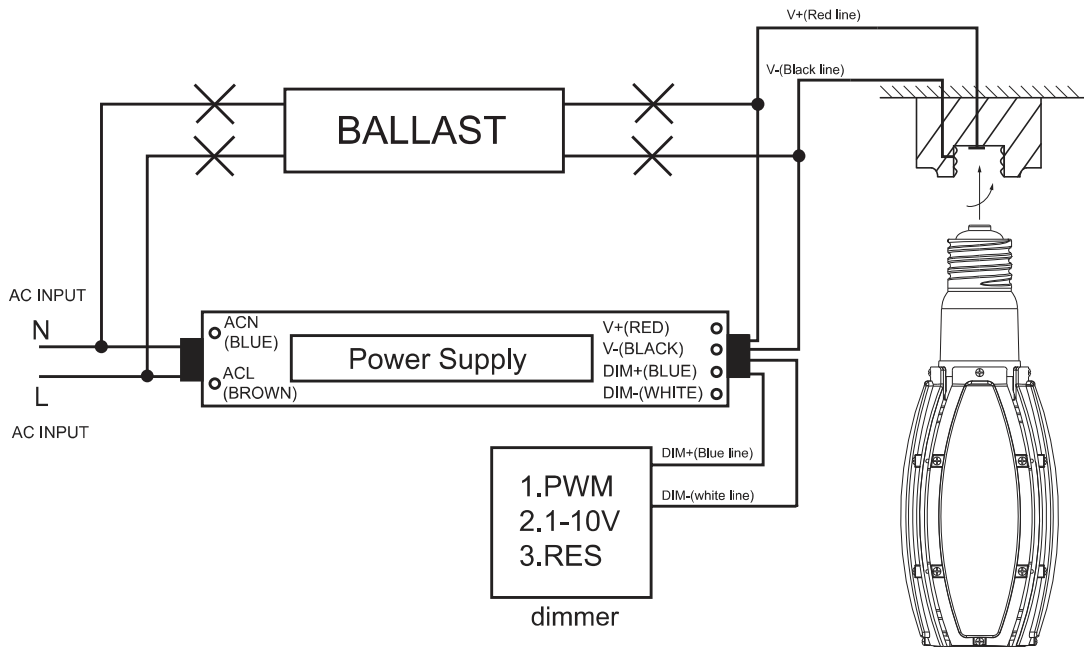
THIS DEVICE IS NOT INTENDED FOR USE WITH EMERGENCY EXITS.



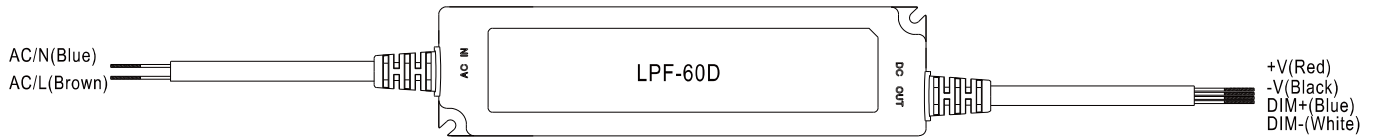
| <u>SKU</u> | <u>Description</u> |
|-------------|--------------------|
| LED-8085M30 | 60W 3000K |
| LED-8085M42 | 60W 4200K |
| LED-8085M57 | 60W 5700K |

Installation:

- Step 1. Disconnect Electrical Power to fixture.**
- Step 2. Remove existing ballast and install included LED driver in its place.**
- Step 3. Connect the 2 common wires to the brown and blue wires on the driver.**
 - N - neutral wire from power source connects to ACN Blue wired on driver.**
 - L - Load wire from power source connects to ACL Brown Wire on driver).**
- Step 4. Connect V+ (Red) wire from driver and V- (Black) wire to socket as shown below.**
- Step 5. Where there still be a silver label?**
- Step 6. If Dimming is to be utilized see diagram below.**



| SKU | Description |
|-------------|-------------|
| LED-8085M30 | 60W 3000K |
| LED-8085M42 | 60W 4200K |
| LED-8085M57 | 60W 5700K |



- ※ Built-in 3 in 1 dimming function, output constant current level can be adjusted through output cable by 1 ~ 10Vdc, 10V PWM signal or resistance between DIM+ and DIM-.
- ※ Please DO NOT connect "DIM-" to "-V".
- ※ Reference resistance value for output current adjustment (Typical)

| Resistance value | Single driver | 10KΩ | 20KΩ | 30KΩ | 40KΩ | 50KΩ | 60KΩ | 70KΩ | 80KΩ | 90KΩ | 100KΩ | OPEN |
|-----------------------------|--|--------|--------|--------|--------|--------|--------|--------|--------|--------|---------|----------|
| | Multiple drivers (N=driver quantity for synchronized dimming operation) | 10KΩ/N | 20KΩ/N | 30KΩ/N | 40KΩ/N | 50KΩ/N | 60KΩ/N | 70KΩ/N | 80KΩ/N | 90KΩ/N | 100KΩ/N | ----- |
| Percentage of rated current | | 10% | 20% | 30% | 40% | 50% | 60% | 70% | 80% | 90% | 100% | 95%~108% |

- ※ 1 ~ 10V dimming function for output current adjustment (Typical)

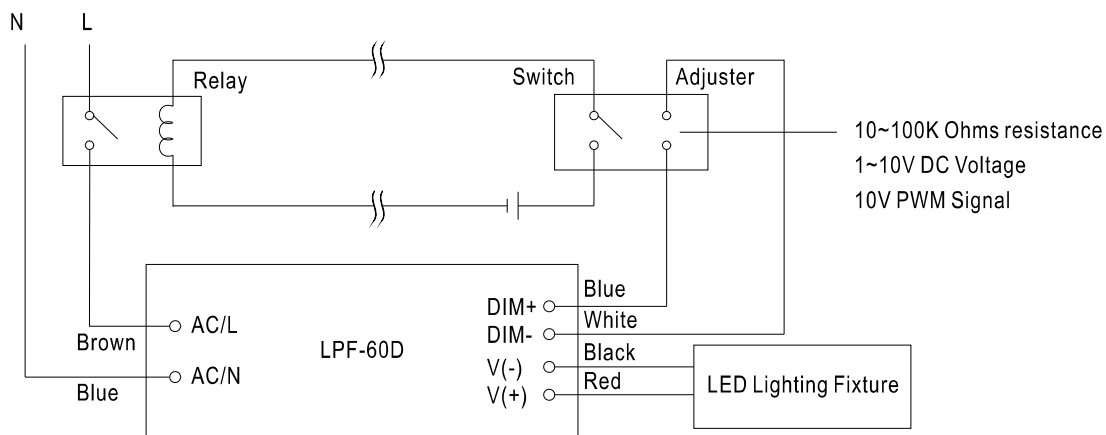
| Dimming value | 1V | 2V | 3V | 4V | 5V | 6V | 7V | 8V | 9V | 10V | OPEN |
|----------------|-----|-----|-----|-----|-----|-----|-----|-----|-----|------|----------|
| Output current | 10% | 20% | 30% | 40% | 50% | 60% | 70% | 80% | 90% | 100% | 95%~108% |

- ※ 10V PWM signal for output current adjustment (Typical): Frequency range :100Hz ~ 3KHz

| Duty value | 10% | 20% | 30% | 40% | 50% | 60% | 70% | 80% | 90% | 100% | OPEN |
|----------------|-----|-----|-----|-----|-----|-----|-----|-----|-----|------|----------|
| Output current | 10% | 20% | 30% | 40% | 50% | 60% | 70% | 80% | 90% | 100% | 95%~108% |

- ※ Using the built-in dimming function on LPF-60D can't turn the lighting fixture totally dark. Please refer to the connection method below to achieve 0% brightness of the lighting fixture connecting to the LED power supply unit.

Dimming connection diagram for turning the lighting fixture ON/OFF :



Using a switch and relay can turn ON/OFF the lighting fixture.

1. Output constant current level can be adjusted through output cable by connecting a resistor or 1~10Vdc or 10V PWM signal between DIM+ and DIM-.
2. The LED lighting fixture can be turned ON/OFF by the switch.