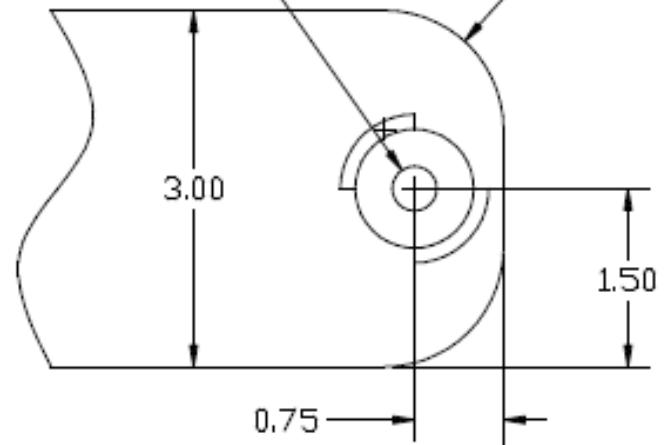
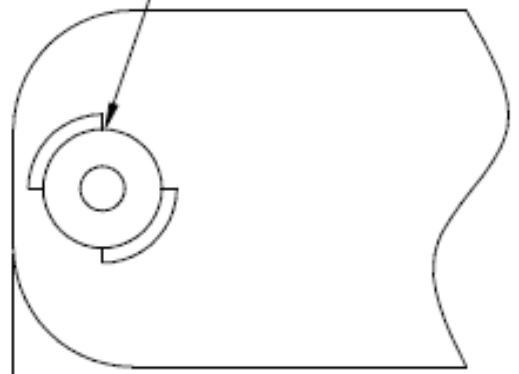
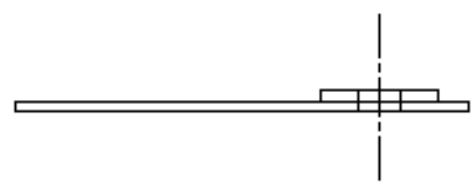
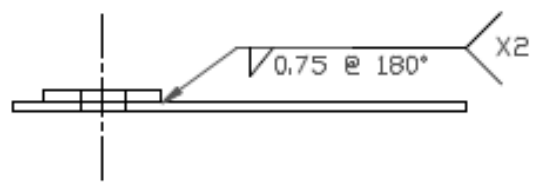


2X 3/8" FLAT WASHER

$\phi 0.38$ X2 R1.00



95.00



 CHEMICAL CONTAINERS, INC. LAKE WALES, FLORIDA, 33859 TEL: 863-638-1407 FAX: 863-638-1863		
BANDS FOR 225 GAL HORIZONTAL TANKS		
SIZE B	DWG NO ST6040A	REV 00
COMPONENT DRAWING		
SCALE: N.A.	LAYOUT SHEET	SHEET 1/1