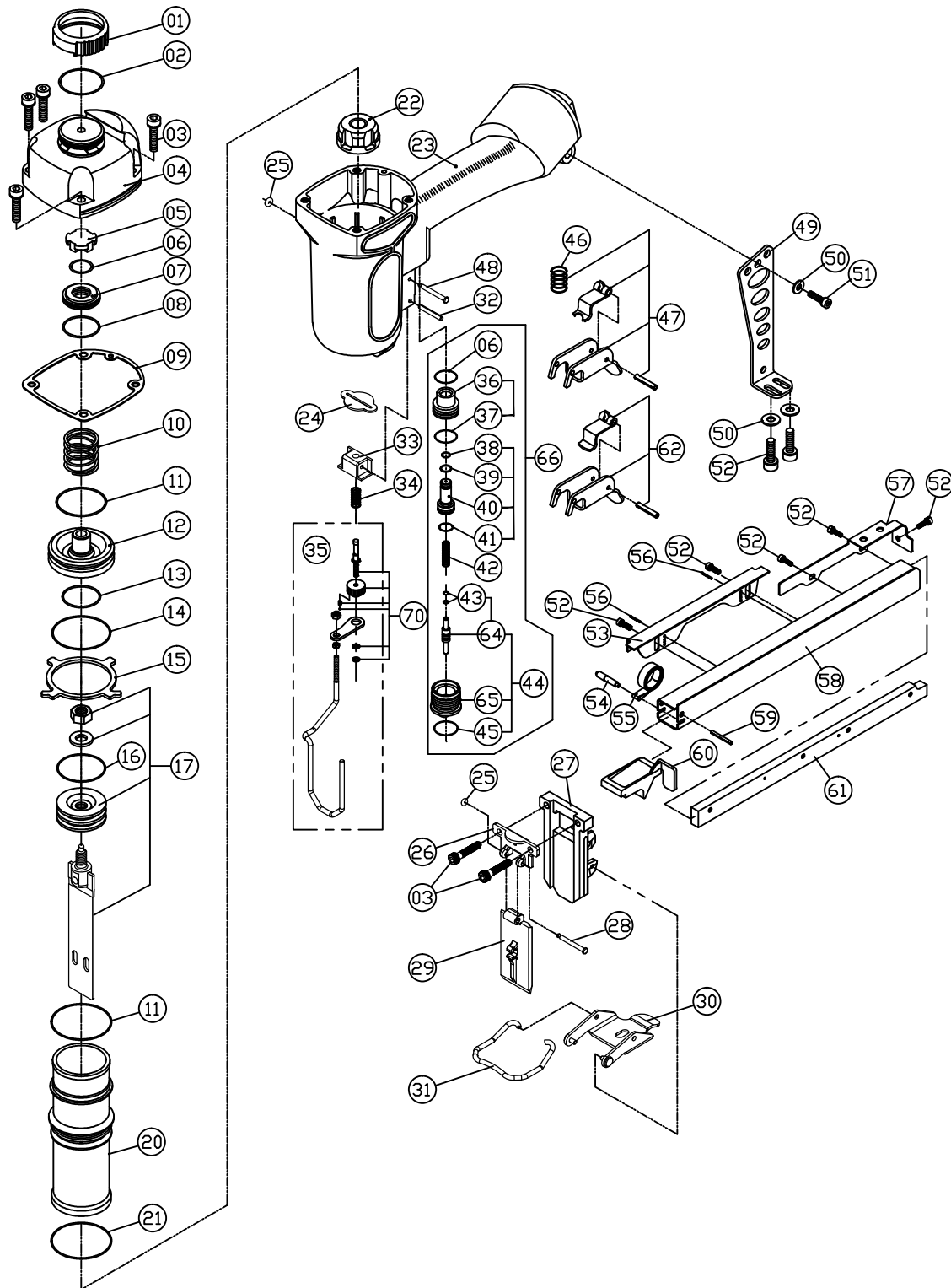


# MODEL RC1016

# SPOTNAILS®

Division of Peace Industries, LTD.

1100 Hicks Road, Rolling Meadows, IL 60008  
 P: 800-873-2239 / 847-259-1620 • F: 888-369-2588  
 customerservice@spotnails.com  
 www.spotnails.biz • www.spotnails.com



Ref No.	Part No.	Description	Ref No.	Part No.	Description
01	P-70043	Exhaust Deflector	35	AS-53049	Safety Assembly
02	P-64392	O-Ring	36	P-22144	Trigger Valve Cap
03	P-24358	Screw - 6PCS	♦ 37	P-64333	O-Ring
04	P-60201	Cap	♦ 38	P-64334	O-Ring
♦ 05	P-15199	Exhaust Seal	♦ 39	P-64335	O-Ring
♦ 06	P-64332	O-Ring - 2PCS	40	P-22145	Pilot Valve
07	P-22167	Poppet Valve Guide	♦ 41	P-64336	O-Ring
♦ 08	P-64393	O-Ring	42	P-18227	Spring
♦ 09	P-62085	Gasket	♦ 43	P-64383	Plunger O-Ring - 2PCS
10	P-18226	Poppet Spring	44	AS-22037	Plunger w/Housing Assembly
♦ 11	P-64385	O-Ring - 2PCS	♦ 45	P-64328	O-Ring
12	P-63049	Poppet	46	P-18267	Spring
♦ 13	P-64233	Piston Stop O-Ring	47	AS-21019	Sequential Trigger (Red)
♦ 14	P-64389	Cylinder Seal O-Ring	48	P-07327	Trigger Pin
15	P-32256	Retaining Ring	49	P-13109	Bracket
♦ 16	P-64512	Piston O-Ring	50	P-32211	Flat Washer - 3PCS
17	AS-06092	Piston & Driver Assembly	51	P-24301	Screw
20	P-05120	Cylinder	52	P-24433	Screw - 7PCS
♦ 21	P-64425	O-Ring	53	P-12406	Magazine Cover (A)
22	P-15242	Bumper	54	P-07331	Negator Spring Pin
23	P-01288	Body	55	P-18334	Negator Spring
24	P-15198	Return Seal	56	P-07333	Pin - 2PCS
♦ 25	P-64240	O-Ring - 2PCS	57	P-12407	Magazine Cover (B)
26	P-10285	Stationary Front Plate	58	P-12409	Magazine
27	P-08467	Wear Plate	59	P-07332	Pin
28	P-07357	Step Pin	60	P-09185	Pusher
29	P-10286	Removable Front Plate	61	P-12411	Cover Mounting Bar
30	P-04062	Quick Clear Latch	62	AS-21008	Contact Trigger (Black)(Bump Fire)
31	P-18333	Latch Spring	64	AS-22041	Plunger w/O-Rings Assembly
32	P-07262	Pin	65	P-22233	Valve Housing
33	P-53165	Safety Guide	69	AS-22043	Trigger Valve Assembly
34	P-18328	Spring	70	AS-53112	Safety Pin Kit

♦ Parts Included In AS- 97325 O-Ring And Seal Kit