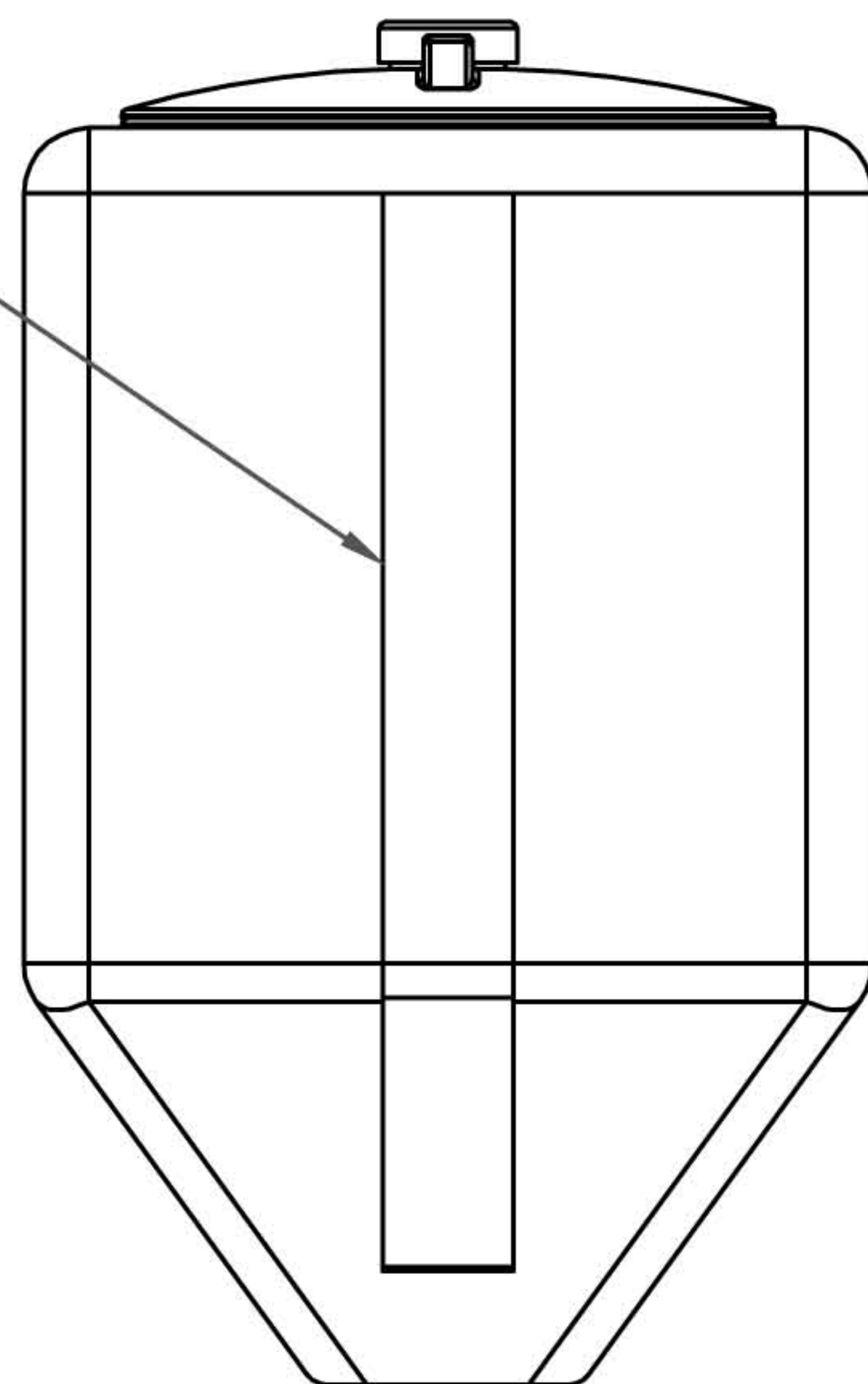
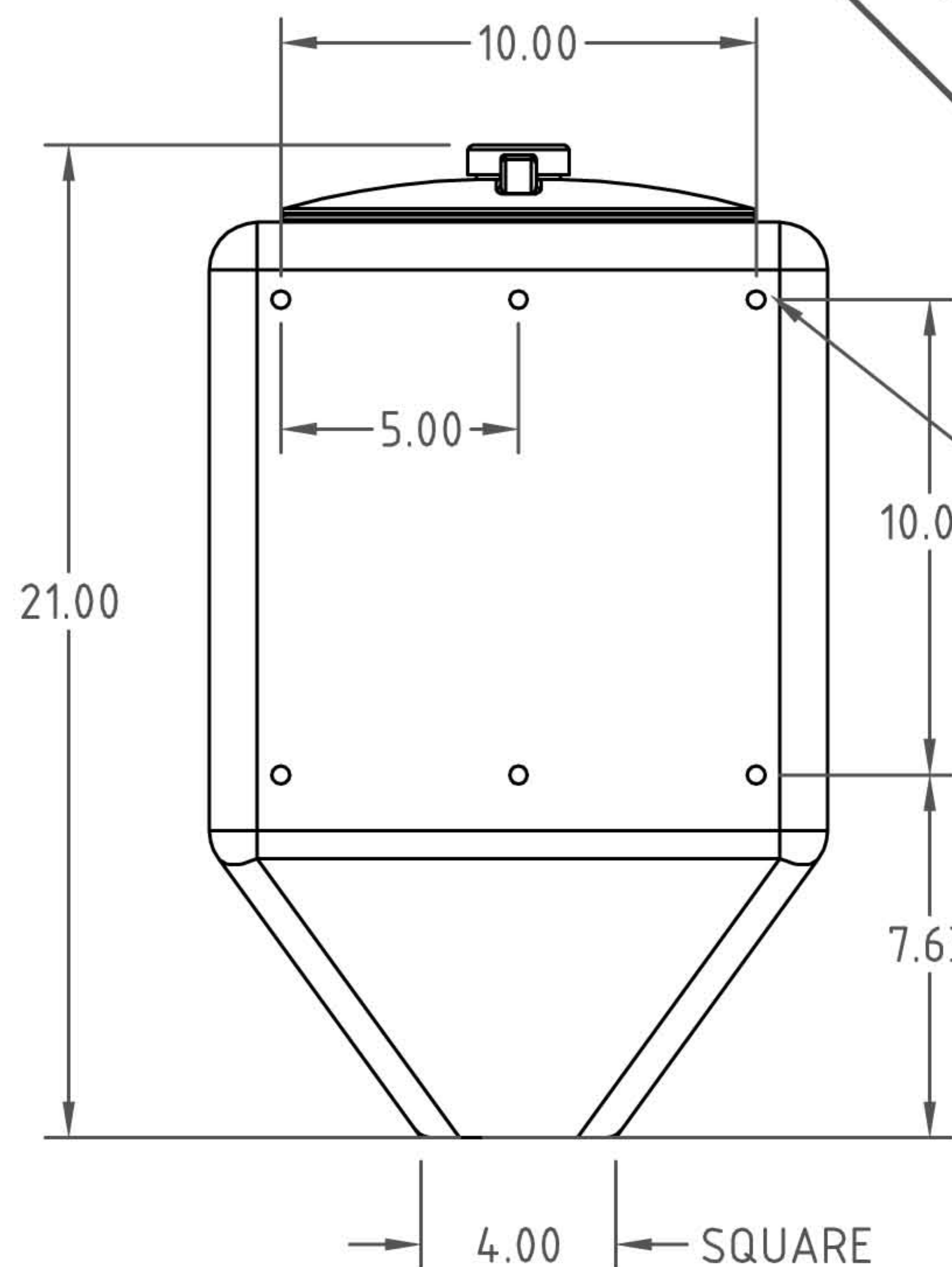


8" VENTED LID ASSEMBLY

GALLON INDICATORS  
ON SIDE OPPOSITE INSERTS



STANDARD FITTING IS 1-1/4 FPT



6 X 5/16-18 UNC INSERTS

**CHEMICAL CONTAINERS, INC.** 800-346-7867

10 GAL. TOTAL DRAIN

SCALE

NS

T5042A