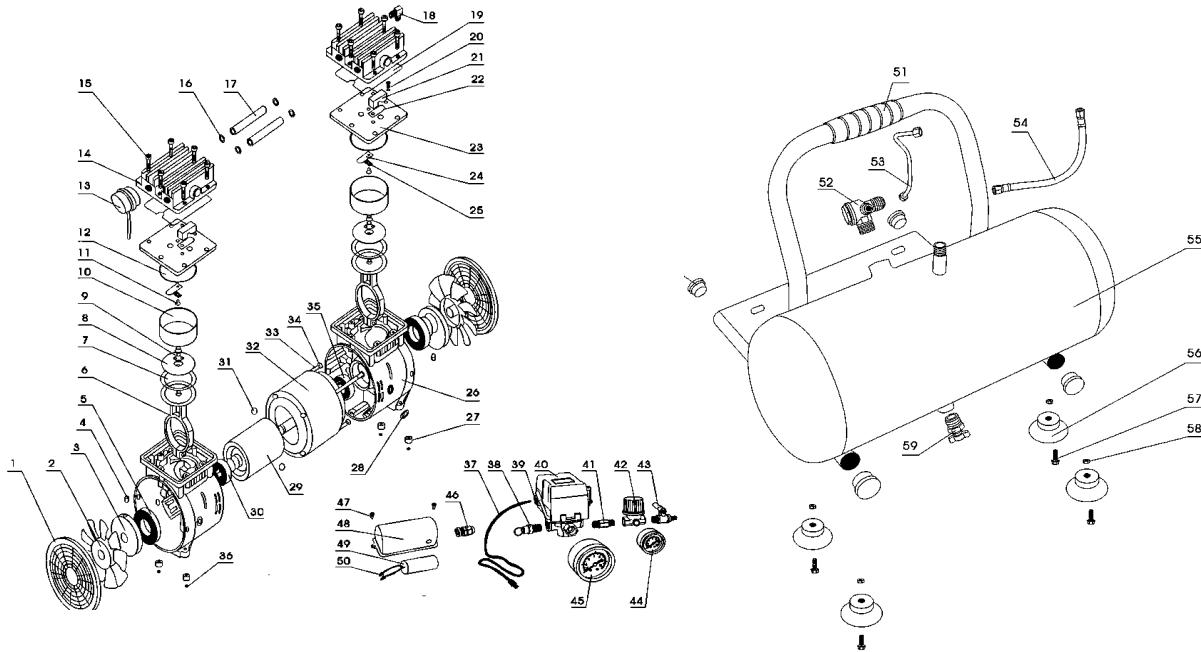




# 2 GALLON AIR COMPRESSOR BREAKDOWN

AC072

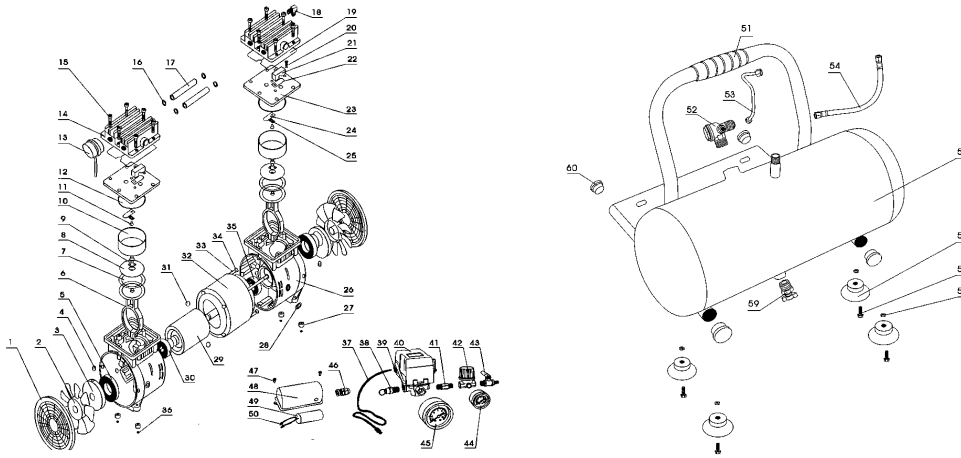


REF #	Main Description	Secondary Description	QTY	Part #
7	Kit	Piston Ring	2	42.011.027
8		Piston	2	
9		Inner Hexagon Screws	2	
10		Cylinder	2	
13	Air Filter	Air Filter	1	42.011.001
18	Discharge Elbow	Discharge Elbow	3	42.011.028
27	Shock Pad	Shock Pad	4	42.001.029
28	Cable Retaining Clip	Cable Retaining Clip	2	42.011.030
38	Safety Valve	Safety Valve	1	42.010.150
40	Pressure Switch	Pressure Switch	1	42.011.009
42	Regulator	Regulator	1	42.011.006
43	Discharge Valve (Quick Coupling)	Discharge Valve (Quick Coupling)	2	42.011.005
44	Pressure Gauge (50mm)	Pressure Gauge (50mm)	1	42.011.007
45	Pressure Gauge (40mm)	Pressure Gauge (40mm)	1	42.011.008
46	Kit	Waterproof Nut	1	42.011.032
47		Cross Joint Screw M5*14	2	
48		Connecting Box	1	
49	Capacitor	Capacitor	1	42.011.034
50	Wiring Cap	Wiring Cap	2	85.506.031
53	Release Pipe	Release Pipe	1	42.011.004
54	Steel Wire Hose M14	Steel Wire Hose M14	2	42.011.031
56	Washer Foot	Washer Foot	4	42.011.003
59	Drain Cock	Drain Cock	1	42.011.002
61	Plastic Cover	Plastic Cover	2	42.011.033



# 2 GALLON AIR COMPRESSOR BREAKDOWN

AC072



REF #	Main Description	Secondary Description	QTY	Part #
7	Motor Pump Assy Kit	Piston Ring	2	42.011.036
8		Piston	2	
9		Inner Hexagon Screws	2	
10		Cylinder	2	
11		Round head cross screws	2	
12		Valve plate gasket	2	
13		Air Filter	1	
14		Cylinder head	2	
15		Inner Hexagon Screws M5*30	12	
16		O-ring	4	
17		High pressure pipe	2	
18		Discharge Elbow	3	
19		Cylinder head gasket	2	
20		Limited block screw	2	
21		Caging Device	2	
22		Discharge Valve clack	2	
23		Valve plate		
24		Air inflow valve washer		
25		Suare flat washer	2	
26		Crank case A/B	4	
27		Shock Pad	2	
28		Cable Retaining Clip	1	
29		Rotator	1	
30		Bearing 6203	4	
31		Flangenut M5	1	
32		Motor	4	
33		Outer hexagon screws M5*155	4	
34		Spring Φ5	1	
35		Bearing 6203	4	
36		Nut M6	1	