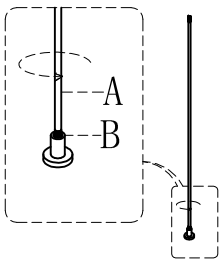


ASSEMBLY INSTRUCTION

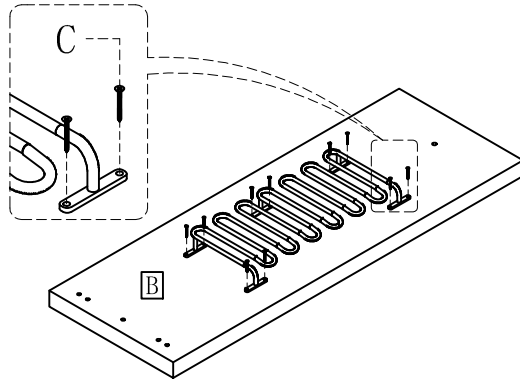
Item name: BOLERO

Model number: G5049

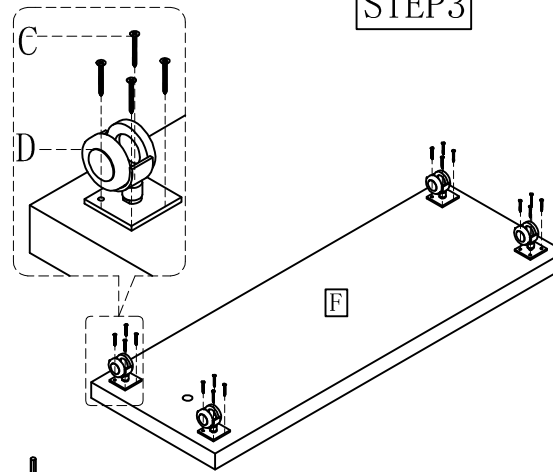
STEP1



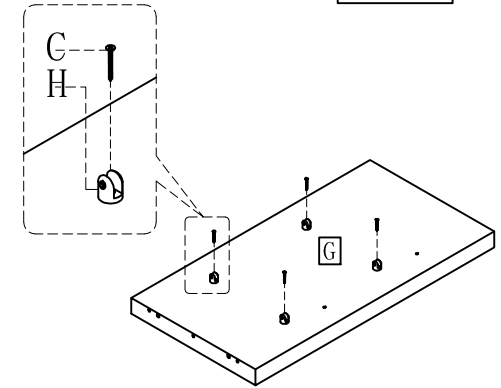
STEP2



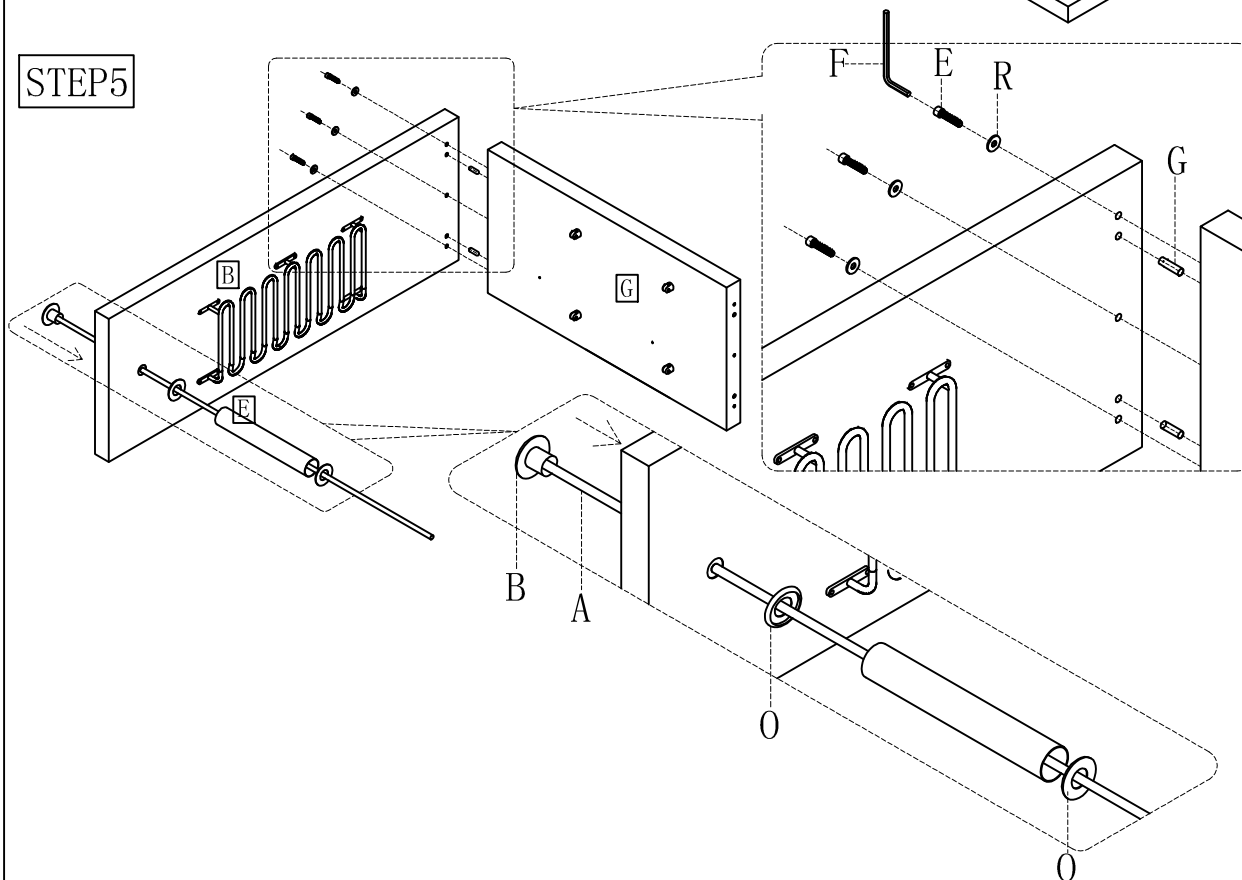
STEP3



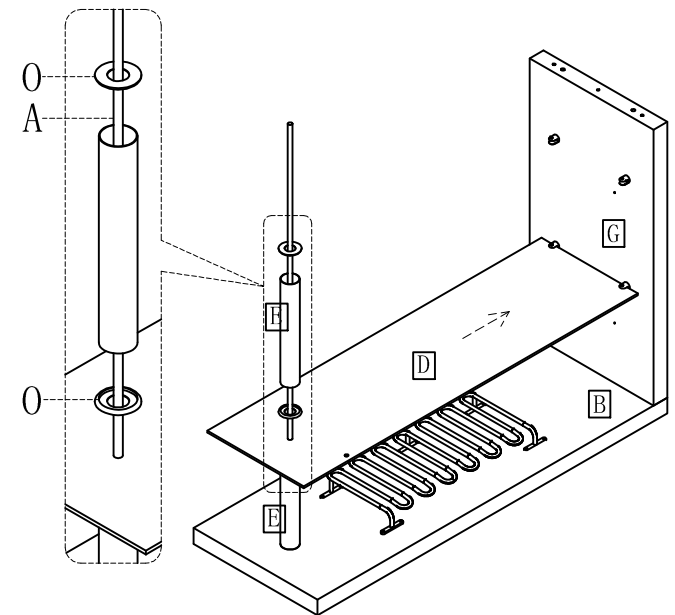
STEP4



STEP5



STEP6



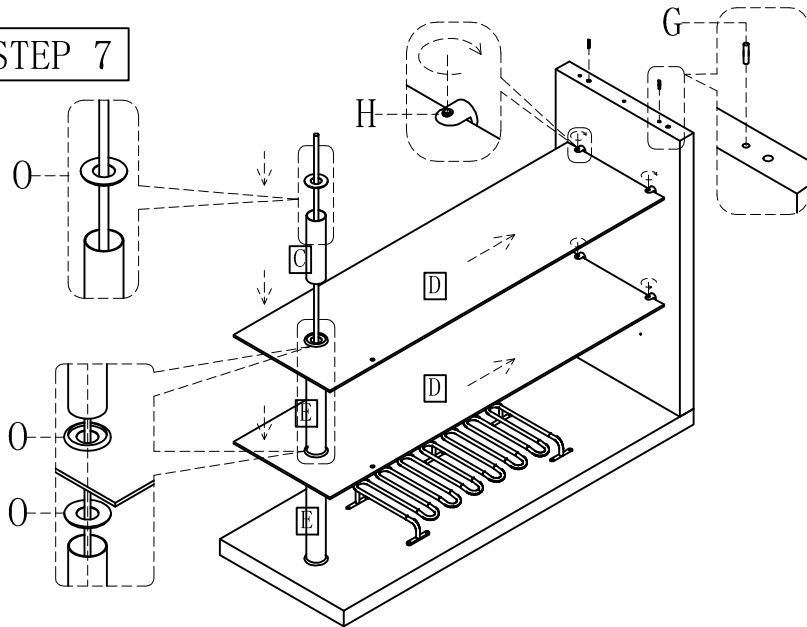
ASSEMBLY

INSTRUCTION

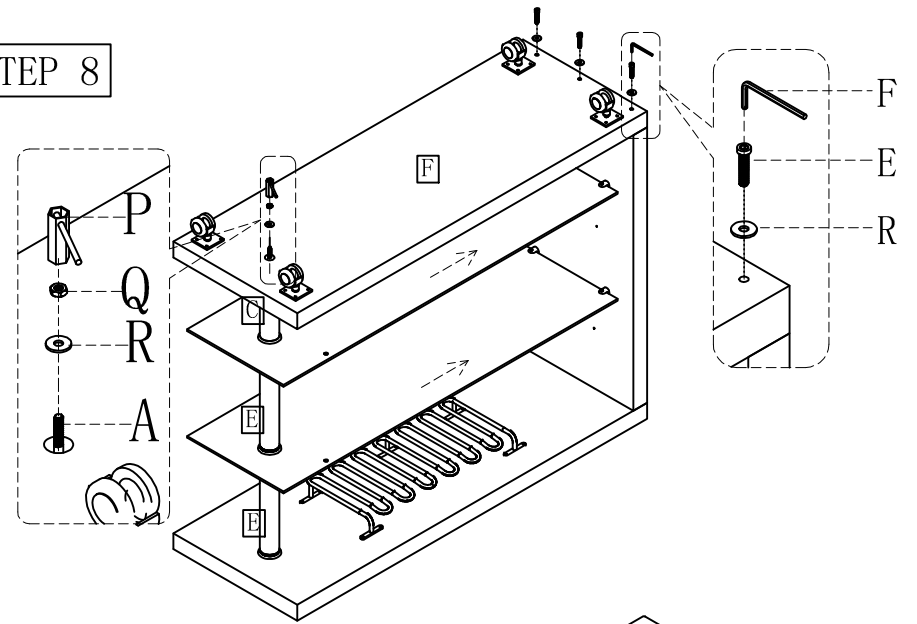
Item name: BOLERO

Model number: G5049

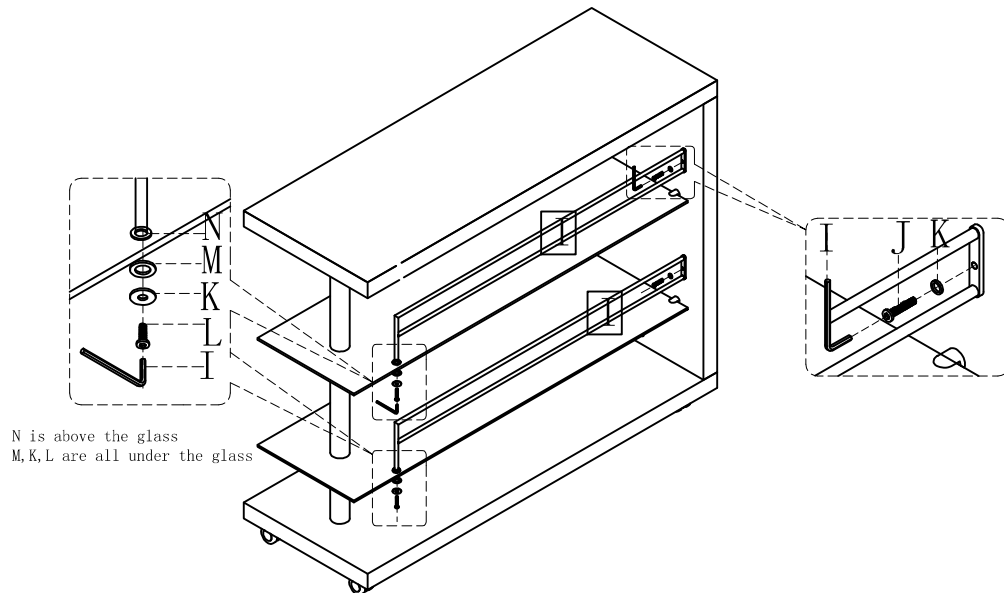
STEP 7



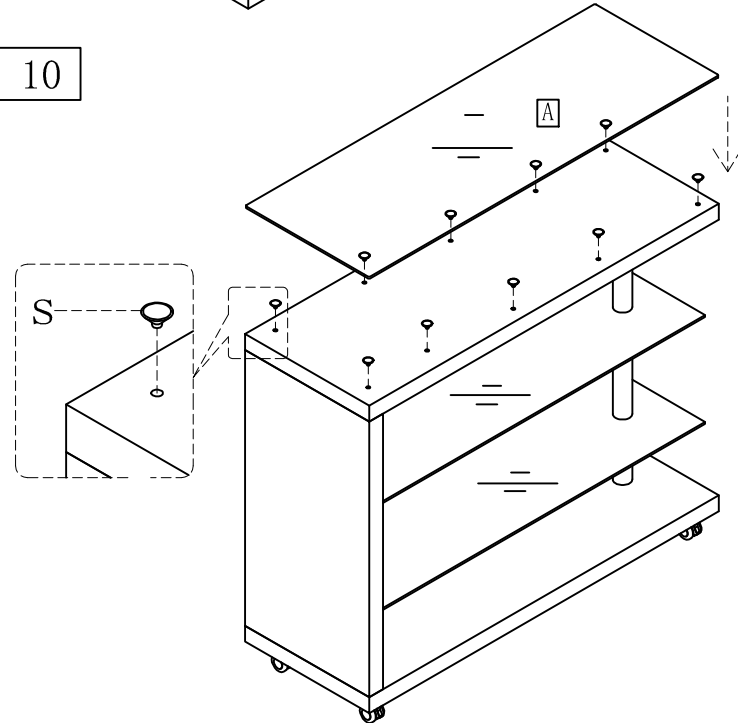
STEP 8


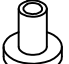



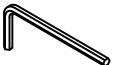


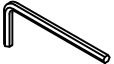












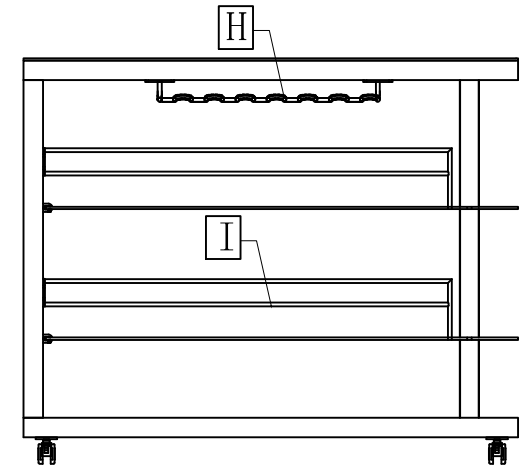
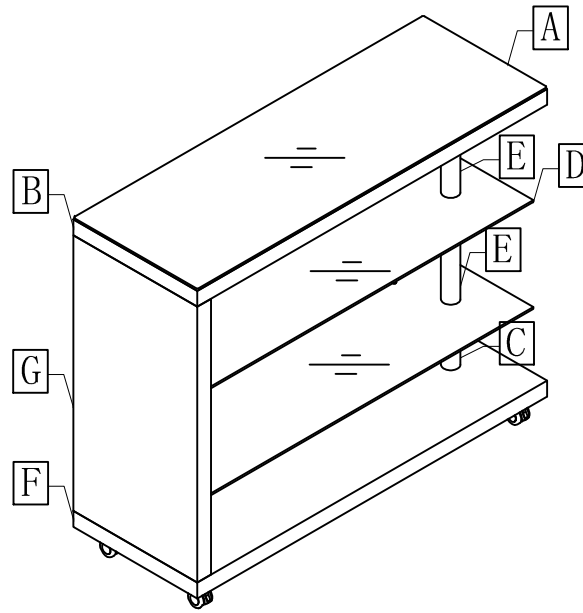
STEP 9



STEP 10



A		1Pc	M8*960
B		1Pc	M8
C		30Pcs	M4*20
D		4Pcs	
E		6Pcs	M8*60
F		1pc	5mm
G		4Pcs	Φ 8*30
H		4Pcs	
I		1pc	4mm
J		2Pcs	M6*30
K		4Pcs	Φ 8
L		2Pcs	M6*20
M		2Pcs	Φ 8
N		2Pcs	Φ 7.5 _{plastic}
O		6Pcs	Φ 50
P		1Pc	14mm
Q		1Pc	M8
R		7Pcs	Φ 8
S		10Pcs	



	Part Description	Quantity		Part Description	Quantity
A	Top Glass	1	F	Bottom board	1
B	Top board	1	G	side board	1
C	Tube short	1	H	Goblet Frame	1
D	Shelf Glass	2	I	shelf	2
E	Tube long	2			