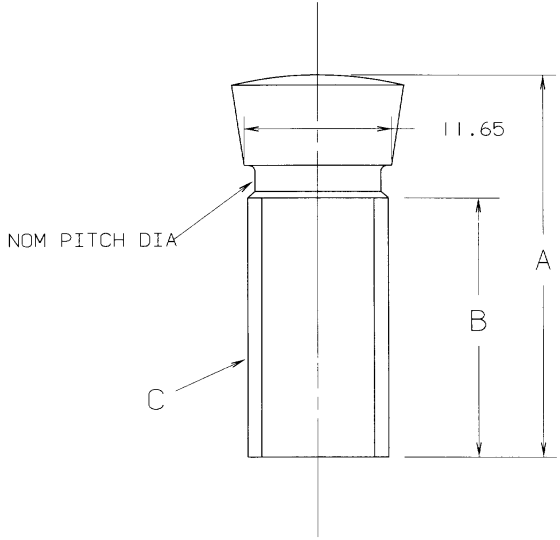


SINGLE LETTER OR MFG SYMBOL
HEAD MARKING PERMISSIBLE
MAX RAISED HEIGHT - 0.25
MAX LETTER HEIGHT - 3

MAXIMUM CORNER RADII OF .8
IS PERMISSIBLE
HEAD DIMENSIONS ARE MEASURED
AT THEIR INTERSECTIONS

ZN PLATE PER CASE MS 201
CLASS 5A OR 5B
PARTS MUST BE BAKED TO PREVENT
HYDROGEN EMBRITTEMENT



PART NUMBER	"A"	"B"	"C" THREAD TYPE
131972C2	32.00	15.0	7/16-14 UNC-2A
59055C3	44.00	28.0	7/16-14 UNC-2A
59056C3	57.0	31.0	7/16-14 UNC-2A
463988R4	32.00	20.0	7/16-14 UNC-2A-LH

OTHER RELEASE NUMBER		ENGINEERING CONTROL RELEASE NUMBER	REV LTR	CHANGES	BY	DATE	CHK	METRIC UNLESS OTHERWISE SPECIFIED, DIMENSIONS ARE IN MILLIMETERS SURFACE ROUGHNESS IN MICROMETRES Ra METRIC TOLERANCES UNLESS OTHERWISE SPECIFIED: WHOLE NUMBERS ±1.0 TWO PLACE DECIMALS ±0.25 ONE PLACE DECIMALS ±0.4 ANGULAR DIMENSIONS ±2° GEOMETRIC DRAWING SYMBOLS USAGE OF SYMBOLS AND MODIFIERS SHALL CONFORM TO CASE DRAWING STANDARDS AS SHOWN THIRD ANGLE PROJECTION APPROXIMATE MASS: _____ Kg SYSTEM: CAD SIZE: A2 THIS PRINT AND THE INFORMATION CONTAINED HEREON IS A CONFIDENTIAL DISCLOSEURE. THE SUBJECT MATTER OF WHICH IS THE PROPERTY OF THE CASE CORPORATION AND ITS SUBSEQUENT-NAMED HEREON.	
C981747	F	WAS 7.10 <50>			TDB	01DEC98		CASE CORPORATION 700 STATE STREET RACINE, WI 53404 USA INTERNATIONAL OPERATION PART NO. - DESCRIPTION BOLT 7/16 SPECIAL HEAD MATERIAL: ES-B7008 DRAWN BY: KBR 28JUN84 MATERIAL BY: _____ DATE: _____ CHECKED BY: _____ DATE: _____ APPROVED BY: _____ DATE: _____	
4981747	F	REFORMATTED			TDB	01DEC98		REFERENCE NO:	SCALE: 1:4
							PART NO:	FZG 18715	