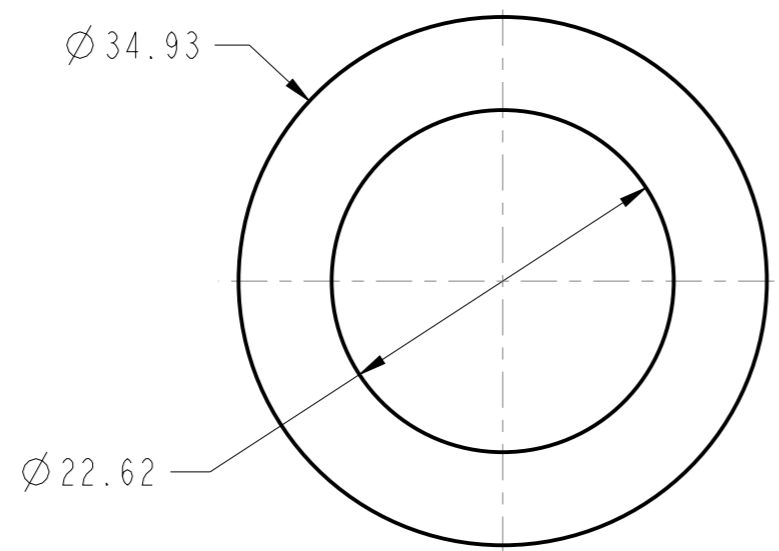
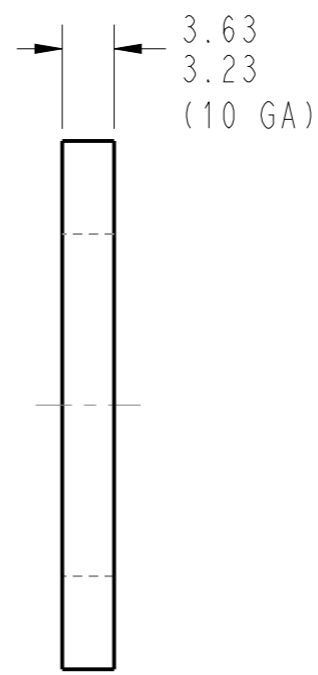


REFERENCE ISOMETRIC VIEW
SCALE 2:1



DWGB105	
GENERAL TOLERANCES	
X	±1.5
X.X	±0.8
X.XX	±0.25
∠	±2°
MACHINED SURFACE	6.3
ROUGHNESS MAX.	▽

NONE	
STD. NO.	DESCRIPTION
APPLICABLE STANDARDS	

DRAWN BY CLS	16MAY74	METRIC UNLESS OTHERWISE SPECIFIED, ALL DIMENSIONS ARE IN MILLIMETRES SURFACE FINISH IN MICROMETRES Ra	LEXICON CODE 095B	REFERENCE PART	REPLACES	PART STATUS	
	CHECKED BY		CNH MATERIAL HR SHEET, CNH MAT1011, GRADE A	MATERIAL SIZE			
	MATERIAL BY		GENERAL TOLERANCES PER CNH DRAWING STANDARD DWGB105	LOCAL MATERIAL HR SHEET, ASTM A1011, CS TYPE B			
	APPROVED BY		GEOMETRIC DIMENSIONING AND TOLERANCING PRACTICES SHALL CONFORM TO CNH DRAWING STANDARD DWGB100	APPROX MASS 0.015 kg	ENGRG CONTI MODEL GF	DWG SCALE 2:1	DOC NO. - HOM NO.
THE INFORMATION HEREON IS CONFIDENTIAL AND PROPRIETARY PROPERTY OF CNH GLOBAL N.V. AND/ OR ITS SUBSIDIARIES. ANY USE, EXCEPT THAT FOR WHICH IT MAY BE LOANED, IS PROHIBITED.		DESIGN	HARD METRIC <input checked="" type="checkbox"/>	SOFTMETRIC <input type="checkbox"/>	LOCAL DESCRIPTION	SECT OF	
35133462	A	DIM Ø 34.93 WAS 57/64" (5D)	J TETRICK	06 JUN 11	DESCRIPTION BUSHING, 0.875 IN MACH, 10 GA, PLN	SIZE / SYS A3/PRO	SHT OF 1 1
	A	DIM Ø 22.62 WAS 1-3/8" (5C)	J TETRICK	06 JUN 11			
	A	REDRAWN IN PROE & UPDATED TO CURRENT STDS	J TETRICK	06 JUN 11			
ECO	REV	CHANGES	BY	DATE	PART NUMBER 17614030		

SC CLASS CNHO
 CRITICAL/TOTAL SC'S 0/0
 PROPERTY OF A SUBSIDIARY OF CNH GLOBAL N.V.