

4

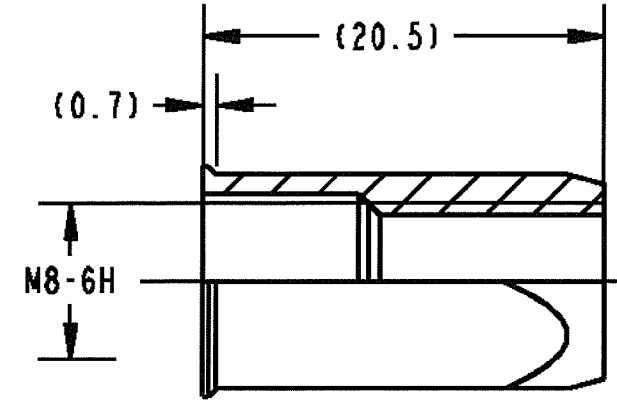
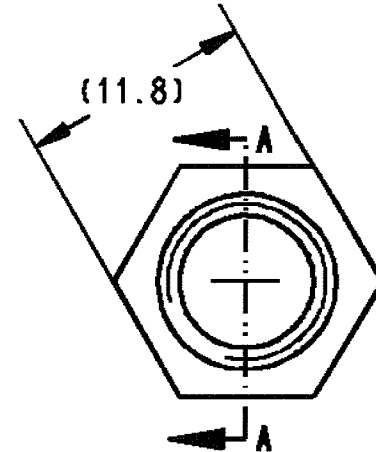
3

2

87556072

C

C



SECTION A-A

- 2. KLEMBEREIK = PLAAT 3.0-5.5 mm  
GRIP = PLATE 3.0-5.5 mm
- 1. AFMETING MONTAGEGAT: ZESK 11.1±0.1  
DIMENSIONS MOUNTING HOLE: HEX 11.1±0.1

B

B

CAGE CODE: 10988

87556072

|  |  |   |  |   |                     |             |                                |
|--|--|---|--|---|---------------------|-------------|--------------------------------|
| DRAWN BY 06.SEP.06<br>W. TANGHE  |  | <b>METRIC</b>   |  | LEXICON CODE<br>N04N  | REFERENCE PART      | REPLACES    | PART STATUS<br>REL             |
| CHECKED BY 27SEP06<br>F HINDRYCKX  |  | UNLESS OTHERWISE SPECIFIED,<br>ALL DIMENSIONS ARE IN MILLIMETRES<br>SURFACE FINISH IN MICROMETRES Ra    |  | CNH MATERIAL<br>STEEL   | MAYL SIZE           |             |                                |
| MATERIAL BY  |  | GENERAL TOLERANCES<br>PER CNH DRAWING<br>STANDARD DWGB105   |  | LOCAL MATERIAL<br>STEEL   |                     |             |                                |
| APPROVED BY 01SEP06<br>D. DESNIJDER  |  | GEOMETRIC DIMENSIONING AND<br>TOLERANCING PRACTICES SHALL<br>CONFORM TO CNH DRAWING<br>STANDARD DWGB100 |  | APPROX MASS<br>0 kg   | ENGRG. CONT.<br>ZED | MODEL<br>FR | DWG SCALE<br>2:1               |
| THE INFORMATION<br>HEREON IS<br>CONFIDENTIAL AND<br>PROPRIETARY<br>PROPERTY OF<br>CNH GLOBAL N.V.<br>AND/OR ITS<br>SUBSIDIARIES.<br>ANY USE, EXCEPT<br>THAT FOR WHICH<br>IT MAY BE LOANED,<br>IS PROHIBITED. |  | DESIGN <input checked="" type="checkbox"/> HARD METRIC <input type="checkbox"/> SOFT METRIC             |  | LOCAL DESCRIPTION   |                     |             | SECT OF                        |
| 35030017 A RELEASE   |  | W. TANGHE 27SEP06   |  | DESCRIPTION<br>BLIND RIVET NUT                                  |                     |             | SIZE / SYS<br>A4/PRO           |
| ECO REV  |  | CHANGES BY DATE   |  | PROPERTY OF<br>A SUBSIDIARY OF<br><b>CNH</b><br>CNH Global N.V. |                     |             | SC CLASS<br>CNH0               |
|  |  |   |  | CRITICAL/<br>TOTAL SC'S<br>0/0                                  |                     |             | PART NUMBER<br><b>87556072</b> |

MOD REV A

4

3

CLASS NO. 49.15

DWG REV. A