

DSP103020

PNEU. CARTON CLOSING PLIER STAPLER

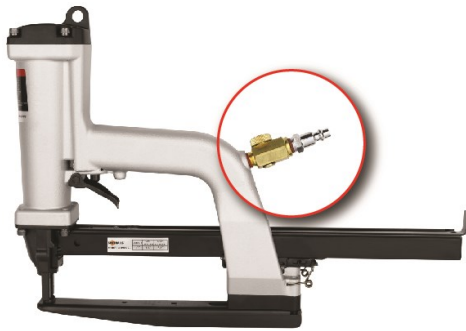


Air Pressure: 36 - 55 PSI

Max Air Pressure: 60 PSI

Air Fitting Size: 1/4" NPT

Low Air Pressure Stapler



AS-97412
Pressure
Regulator

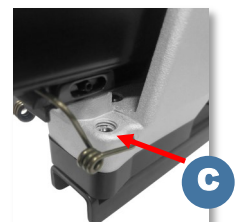
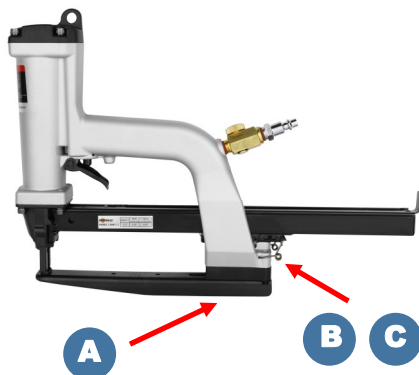
- If connecting tool to 36-55 psi low air pressure line, use factory installed flow control valve.
- If connecting the tool to 80-120 psi air pressure line, remove flow control valve and install AS-97412.
- **WARNING:** Air pressure above 55 psi can damage the tool.

Loading

- Pull the magazine cover back until locked.
- Load the fastener strip.
- Unlock the cover, by pressing button marked "Press". While unlocking, keep the cover in hand and slowly slide it forward until closed.
- **Magazine Capacity:** 102 fasteners.



Anvil Realignment



Clinching Realignment - if staple clinching is not correct:

- Loosen (half a turn) screw **A** (as shown) located at the bottom of the tool.
- To move the Clinch Arm to the left, loosen screw **B** (as shown) slightly, then tighten screw **C** (as shown).
- To move the Clinch Arm to the right, loosen screw **C** (as shown) slightly, then tighten screw **B** (as shown).
- When you have set the desired position, tighten screw **A** (as shown).