

DESCRIPTION

The Standard TRAM is designed to be used as part of the TRAM system which consists of a TRAM Unit, TRAM Rail, and Belt or Harness (depending on application). It is intended to allow a user to move along the rail while remaining connected to the fall protection system and to protect the operator during access and egress, when applicable.

MATERIALS AND SPECIFICATIONS

TRAM Base (casting)	2205 Duplex Stainless Steel
TRAM Handhold	Grade 316 Stainless Steel
TRAM Rotator (cast)	2205 Duplex Stainless Steel
TRAM Brakes and Other Components	Various Grades of Stainless Steel and Brass or Teflon Bushings
TRAM Rail	2x2x11ga or 50x50x3mm Welded Box Tubing, Grade 304 Stainless Steel
Weight	TRAM Unit - 35-50 lbs. (18-23 kg) TRAM Rail - 4 lbs. /ft. (4.5 kg/m)

CERTIFICATIONS

TRAM Unit

- ANSI/ASSE Z359.1-2007 Safety Requirements for Personal Fall Arrest Systems, Subsystems and Components
- EN795:1997 Protection against falls from a height — Anchor devices — Requirements and testing
- AS/NZS 1891.2:2001 Industrial fall-arrest systems and devices, Part 2: Horizontal lifeline and rail systems
- SABS EN 795:1996 Protection against falls from a height

TRAM Harness/Belt

- Varies, please contact TRAM representative for further information.

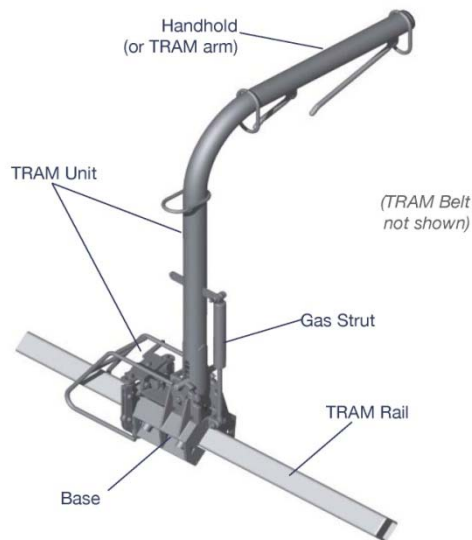


Figure 1: TR-01-01 Standard TRAM w/ Standard Arm Shown

FALL RESTRAINT VS. FALL ARREST

The TRAM can be used as either a fall arrest or fall restraint system.

Fall restraint or total restraint is where a person is connected to an anchorage and physically prevented from reaching any position where there is a risk of a fall. Total restraint systems are likely to be permanently installed and maintained.

A full body harness must be used whenever the TRAM is part of a fall arrest system. When the TRAM is installed so that the operator cannot reach a position where there is a risk of fall – that is, as a fall restraint or total restraint system - it may be permissible to use a restraint belt.

Please consult TRAM distributor or Standfast USA for installation methods and procedures.

