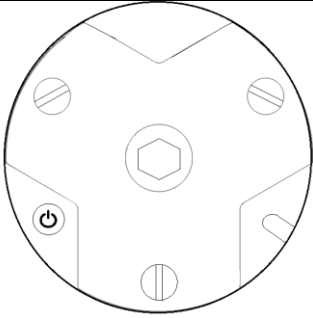
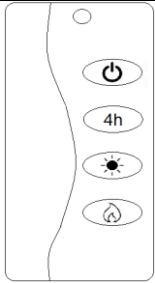
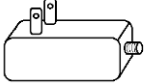



# Instructions - 3GEN Battery Box

## Hanging Lamp (outdoor)

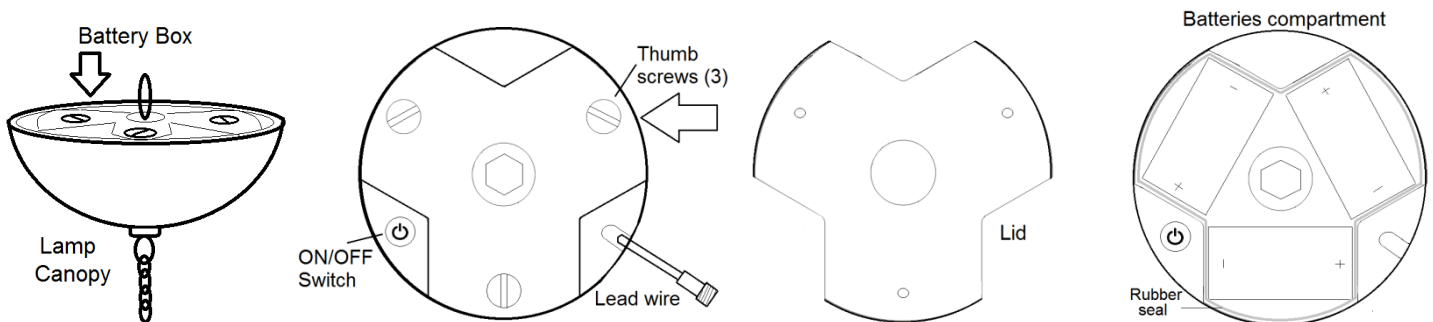
**\*DUAL POWER OPERATION-** You may use this item with Batteries or Plug-in with the provided adapter.

### PARTS

Battery Box (pre-installed in lamp canopy)	Remote Control	Adapter	Wire	Batteries
		 AC IN 120V Output 5V		<b>3 x "C"</b> Batteries (not included)  <b>1 x "A23"</b> For Remote Control (not included)

**Bulb** – it has been pre-installed in the item, the LED Bulb included will last for tenths of thousands of hours, not replaceable.

### BATTERIES Operation



1. The Battery Box has been pre-installed inside the Lamp Canopy as shown
2. Reach into the Canopy and Open the Battery Box Lid removing the three thumb screws indicated in the diagram. You may use a coin to turn the screws. Slide the Lid up to access the compartment.
3. Install the three "C" batteries (not included) ensuring to follow the polarity signs.
4. Place the Lid back in place securing the three thumb screws (ensure the rubber seal on the perimeter of the battery box compartment is in place before securing the lid).

**⚠ WARNING** – Do not submerge the Battery Box in water. Although the box was designed to withstand outdoor environments it is NOT recommended for extreme weather conditions.

**⚠ CAUTION** – Ensure the Lead wire of the Battery Box is covered with the provided rubber cover while the Battery Box is operated with batteries. The cover will protect the Lead wire connection points.



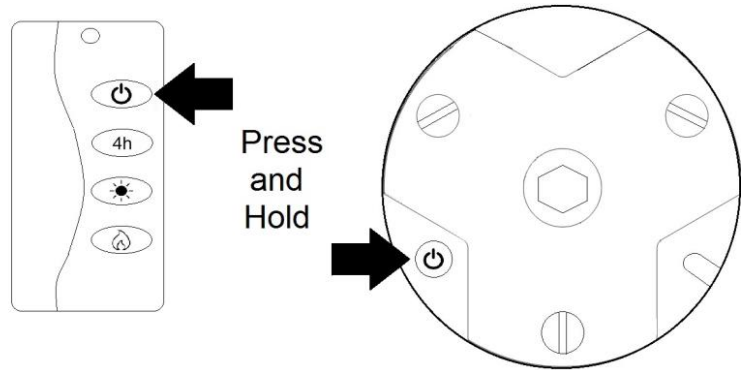
### PLUG-IN Operation

Connect the Battery Box Lead wire to the Adapter securing the threaded terminals. Ensure you align the terminals properly, look for a small slot in the connector to match them properly.

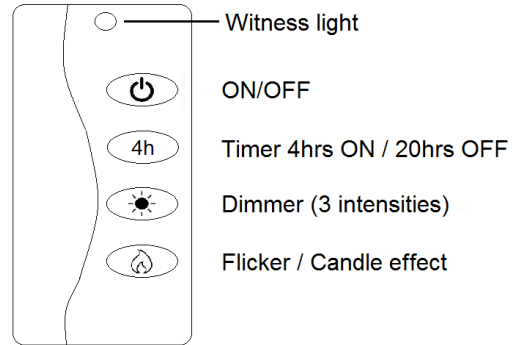
- ⚠ **CAUTION** – Remove the batteries from the Battery Box if you intend to use the Plug-in operation with Adapter for long periods of time. The batteries might leak if left for long periods unused in the battery box.
- ⚠ **WARNING** – Do not leave the Remote out in the elements, it is **NOT outdoor rated**.

**REMOTE CONTROL Operation**

1. Install the required “A23” Battery (not included) in the back of the Remote Control. Follow the indicated polarity direction.
2. Pair the Remote Control, the batteries must be installed in the Remote and the Battery Box (or Plugged-in).
3. “Press and hold” the ON/OFF switch from the back of the Battery Box **and** at the same time “press and hold” the ON/OFF button from the Remote **until** the light blinks.
4. Timer operation, the light will flash once when pressing the button indicating the 4hrs ON / 20hrs OFF has started. If pressed again it will blink twice indicating the timer deactivation.



- ⚠ **WARNING** – THIS IS NOT A TOY! - Keep the Remote Control away from children. The Lid compartment and Battery might accidentally come lose, these are small parts.
- ⚠ **WARNING** – Do not leave the Remote out in the elements, it is **NOT outdoor rated**.



**HANGING the Accent Lamp**

- ⚠ **WARNING** – The wall or ceiling anchor must be mounted on your building structure, it must be able to support at least 20 Lbs. Hanging hardware not included.

**Disclaimer – This metal accent lamp was tested for outdoor weather conditions however the metal parts will develop minor oxidation overtime without compromising the integrity and function of the item. The aging of the product is intended to give additional character to the piece.**

Note: Always use three (3) new batteries in the Battery Box. Do not mix old and new batteries, Alkaline, standard (carbon-zinc) or rechargeable (nickel-cadmium) batteries.

DISPOSE OF BATTERIES IN ACCORANCE WITH LOCAL AND FEDERAL LAWS. DO NOT EXPOSE BATTERIES TO FIRE OR WATER. DO NOT ATTEMPT TO USE DIFFERENT SIZED/TYPES OF BATTERIES OR INSTALL BATTERIES BACKWARDS. NEVER TOUCH DAMAGED OR LEAKING BATTERIES, THIS COULD RESULT IN BURN INJURIES OR CAUSE SERIOUS INTERNAL INJURES IF SWALLOWED.

Made in China