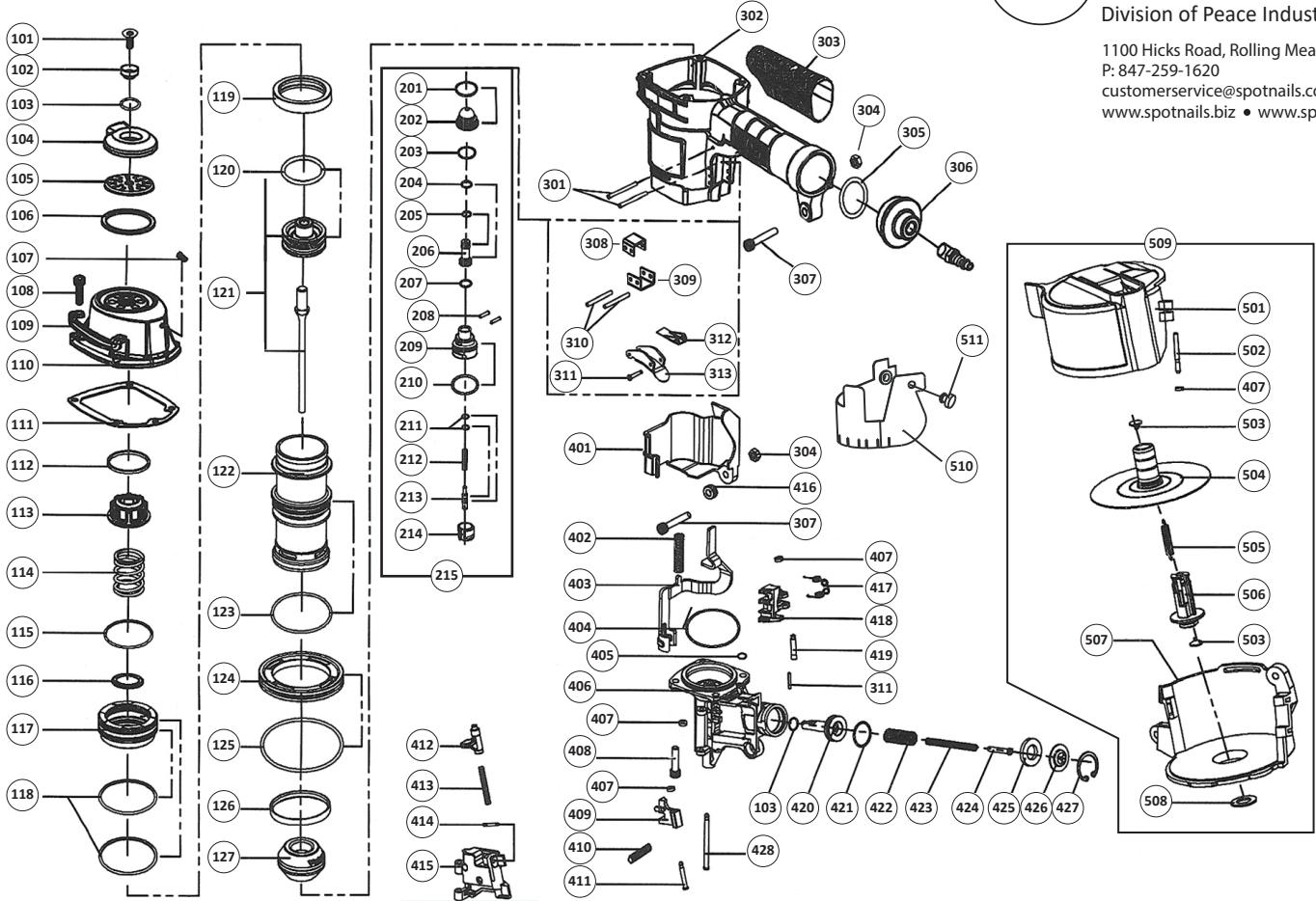


# MODEL PT-CN55



Division of Peace Industries, LTD.

1100 Hicks Road, Rolling Meadows, IL 60008  
 P: 847-259-1620  
 customerservice@spotnails.com  
 www.spotnails.biz • www.spotnails.com



REF NO	RPI	DESCRIPTION	REF NO	RPI	DESCRIPTION	REF NO	RPI	DESCRIPTION
101	RE-MXAA82427	SCREW M8X20	205	OR-PP-971	O-RING 1AP9	408	CS-PP-135	SCREW M6x25
102	RE-MXCN32631	EXHAUST COVER HOLDER	206	RE-MXCN31589	PILOT VALVE	409	RE-MXCN37381	CHECK PAWL
103	OR-PP-1012	O-RING 1AP10A	207	OR-PP-1106	O-RING 1AP6	410	RE-MXKK23109	SPRING 3109
104	RE-MXCN37406	EXHAUST COVER	208	RE-MXFF30161	STRAIGHT PIN 161	411	RE-MXFF41502	STEP PIN 1502
105	RE-MXCN37403	EXHAUST FILTER	209	RE-MXCN32247	TRIGGER VALVE HOUSING	412	RE-MXCN37371	DOOR LATCH
106	RE-MXCN37376	EXHAUST COVER SEAL	210	OR-PP-1116	O-RING 1AP20	413	RE-MXKK23123	SPRING 3123
107	CS-PP-562	SET SCREW	211	OR-PP-6293	O-RING 1B1.4X2.5	414	RP-PP-312	ROLL PIN 3X12
108	CS-PP-135	SCREW M6x25	212	RE-MXKK23129	COMPRESSION SPRING 3129	415	RE-MXCN37380	DOOR
109	RE-MXCN37418	PROTECTOR	213	RE-MXCN31347	TRIGGER VALVE STEM	416	RE-MXCN31270	COLLAR
110	RE-MXCN81201	CYLINDER CAP UNIT	214	RE-MXCN31346	TRIGGER VALVE CAP	417	RE-MXKK33058	SPRING 3058
111	RE-MXCN37415	CYLINDER CAP SEAL	215	RE-BOSTVA-6	TRIGGER VALVE ASSEMBLY	418	RE-MXCN31875	FEED PAWL
112	RE-MXCN37404	SPACER, EXHAUST	301	RP-PP-237	ROLL PIN 3X28	419	RE-MXFF41263	STEP PIN 1263
113	RE-MXCN37372	PISTON STOP	302	RE-MXCN37410	FRAME	420	RE-MXCN37397	FEED PISTON
114	RE-MXKK23578	SPRING 3578	303	RE-MXCN32722	GRIP	421	OR-PP-1117	O-RING 1AP21
115	OR-PP-1308	O-RING 1A2.6X41.5	304	RE-MXCC00402	ELASTIC STOP NUT M6X1	422	RE-MXKK23257	SPRING 3257
116	RE-MXCN37409	HEAD VALVE WASHER	305	OR-PP-930	O-RING 1AG35	423	RE-MXKK23258	SPRING 3258
117	RE-MXCN37373	HEAD VALVE PISTON	306	RE-MXCN34403	END CAP	424	RE-MXCN31878	SPRING GUIDE
118	OR-PP-398	O-RING ARP568-137	307	CS-PP-118	BOLT 6X35	425	RE-MXCN37377	FEED PISTON STOP
119	RE-MXCN37375	CYLINDER SEAL	308	RE-MXCN37394	CONTACT ARM GUIDE	426	RE-MXCN37399	SPRING COLLAR
120	OR-PP-568	O-RING 1AP38	309	RE-MXCN37416	CONTACT ARM COVER	427	RE-MXJJ22407	RETAINING RING C26
121	RE-MXCN81200A	MAIN PISTON UNIT	310	RP-PP-326	ROLL PIN 3x26	428	RE-MXFF41501	STEP PIN 1501
122	RE-MXCN37390	CYLINDER	311	RP-PP-240	ROLL PIN 3X16	501	RE-MXCN37420	MAGAZINE CAP
123	OR-PP-396	O-RING ARP568-136	312	RE-MXCN37424	CONTACT LEVER	502	RE-MXFF31251	STEP PIN
124	RE-MXCN37374	CYLINDER RING	313	RE-MXCN37423	BUMP FIRE TRIGGER	503	RE-MXCN37383	RECEIVER SPRING
125	OR-PP-927	O-RING 1AG75	401	RE-MXCN37395	CONTACT ARM COVER-A	504	RE-MXCN35823	NAIL SUPPORT UNIT
126	RE-MXCN31865	CHECK VALVE	402	RE-MXKK23256	SPRING 3256	505	RE-MXKK13144	TENSION SPRING 3144
127	RE-MXCN31890	BUMPER	403	RE-MXCN35821	CONTACT ARM UNIT	506	RE-MXCN37382	MAGAZINE POST
201	OR-PP-156	O-RING ARP568-016	404	OR-PP-1094	O-RING 1A1.9X47	507	RE-MXCN37413	MAGAZINE BASE
202	RE-MXCN37378	SPACER	405	OR-PP-1087	O-RING 1A1.6X4.2	508	RE-MXCN31882	POST RETAINER
203	OR-PP-150	O-RING ARP568-013	406	RE-MXCN37379	TP NOSE	509	RE-MXCN37413A	MAGAZINE ASSEMBLY
204	OR-PP-1316	O-RING 1BP7	407	OR-PP-3325	RUBBER WASHER 7	510	RE-CN31882	SAFETY GUARD
						511	RE-CN31083	RUBBER GROMMET