



STAINLESS STEEL

FREE STANDING SERVICE SINKS

Item #: _____ Qty #: _____
 Model #: _____
 Project #: _____



DEEP DRAWN SINK BOWL
8-OP-16



FABRICATED SINK BOWL
4-OP-18

FEATURES:

- Leg mounted design.
- High back splash.
- 3 1/2" Basket Drain Included
- 8-OP-16** includes stainless steel side welded crossrails (front to back).

CONSTRUCTION:

All TIG welded.
 Welded areas blended to match adjacent surfaces and to a satin finish.

MATERIAL:

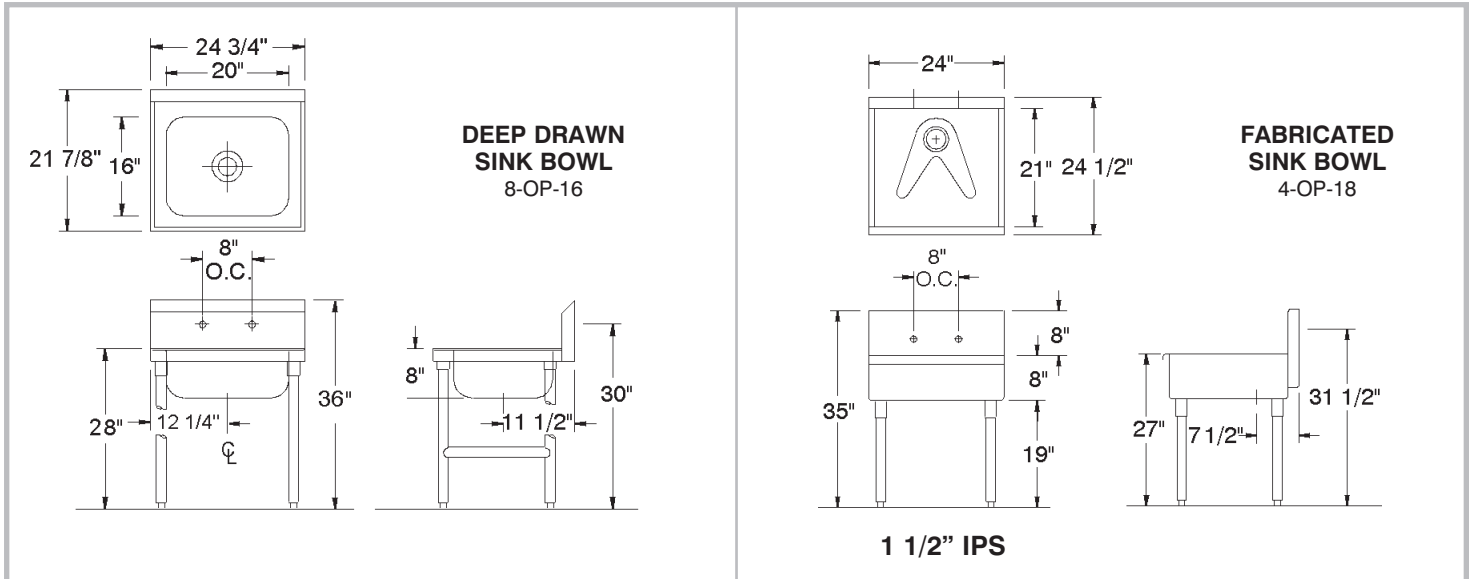
Legs are 18 gauge type "430" stainless steel with 1" adjustable stainless steel bullet feet.
4-OP-18 - Heavy gauge type "304" series stainless steel.
8-OP-16 - 18 gauge type "304" series stainless steel.

Model #	Bowl Size	O.A. Dimension	Approx. Wt.	Approx. Cu.
8-OP-16	16" x 20" x 8"	25" x 23"	50 lbs.	13
4-OP-14	24" x 21" x 8"	24" x 25"	50 lbs.	10

DIMENSIONS and SPECIFICATIONS

TOL ± .500"

ALL DIMENSIONS ARE TYPICAL



Customer Service Available To Assist You 1-800-645-3166 8:30 am - 8:00 pm E.S.T.

For Orders & Customer Service:
 Email: customer@advancetabco.com or Fax: 631-242-6900

For Smart Fabrication™ Quotes:
 Email: smartfab@advancetabco.com or Fax: 631-586-2933