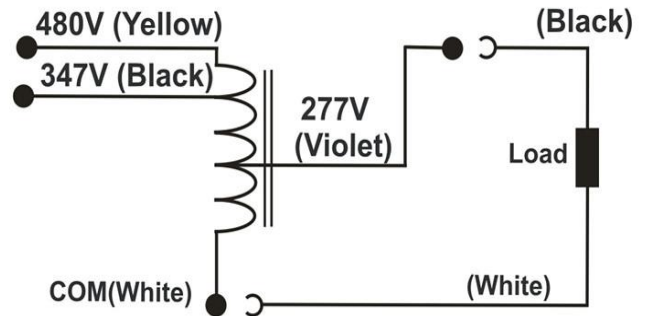
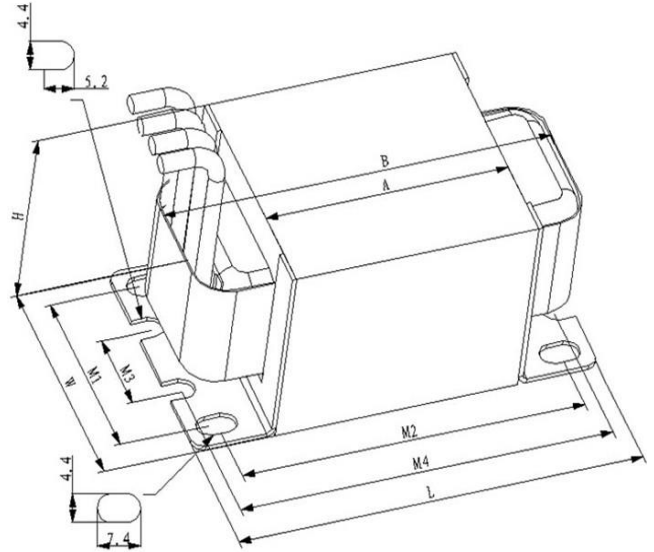




**cUL<sup>®</sup> US RoHS ISO9001**

Model No.	<b>MTM01606227C</b>
Product Type	<b>Step-down Transformer</b>
Rating (VA)	<b>160</b>
V <sub>in</sub>   V <sub>out</sub>	<b>480/347VAC   277VAC</b>
Frequency	<b>60 Hz</b>
Status	<b>Production</b>

Input Voltage (V)		480/347	
Max Input Circuit (A)		0.36/0.50	
Max Output Circuit (A)		0.58	
Max. Load(VA)		160	
Output Voltage (V)		277	
Full Load	EFF. (%)	92/94	
	THD (%)	4.3/4.1	
	Power Factor	0.987/0.987	
UL Class H 180 Temp. Code		A	
Dimension (inches/mm)	Basic dimensions	A*	3.07±0.04/78±1
		B(Max)	4.06/103
		W	1.93±0.04/49±1
		H	1.61±0.04/41±1
	Installation dimensions	M1	1.56/39.6
		M2	3.80±0.04/96.6±2
		M3	0.57/14.4
		M4	4.02±0.04/102±2
		L	4.25±0.04/108±2
		Max Net Weight (lbs)	
Max Net Weight + LW (lbs)		2.44	
Lead Length (inches)		8±0.5	



A\* not covered the thickness of the two holders  
 \*Lead Type: (AVLV2, AVLV8), Type 3135, No. 18 AWG (or Equivalent), rated 200°C, 600 V. Strip 10mm Tin Plated.  
 347V lead wire is pre-insulated.

Document No.:	<b>PS_MTM_VA0160_62-27_C_M03</b>
Date:	<b>2017-02-08 (yyyy-mm-dd)</b>

Product Standards: UL 5085-1, UL 5085-2  
 UL CCN: XPTQ2, XPTQ8