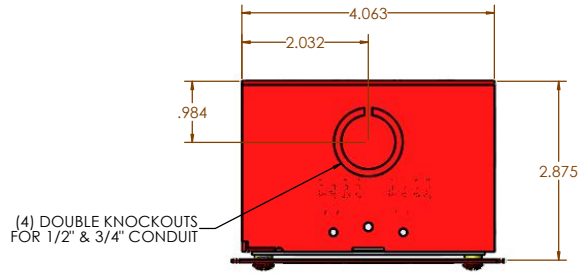
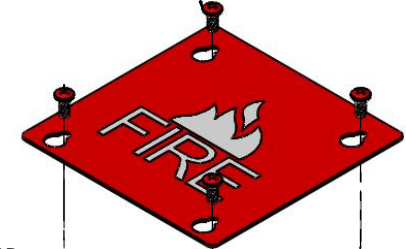


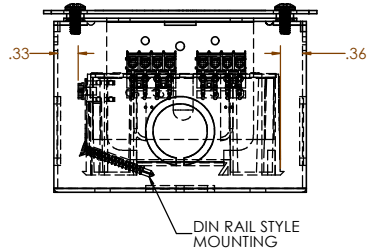
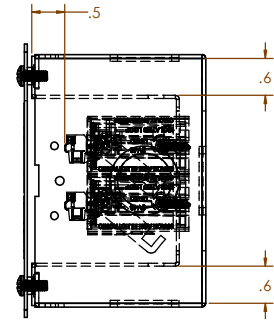
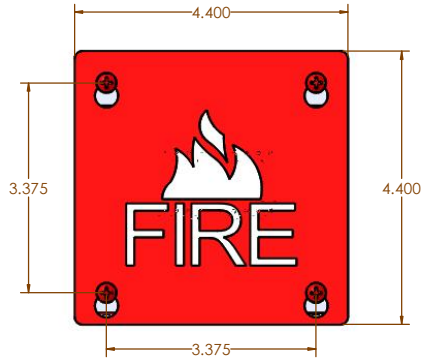
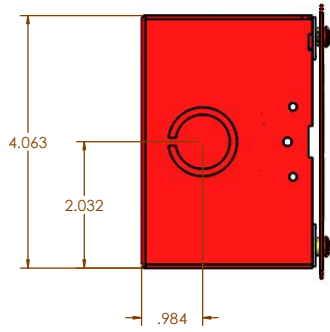
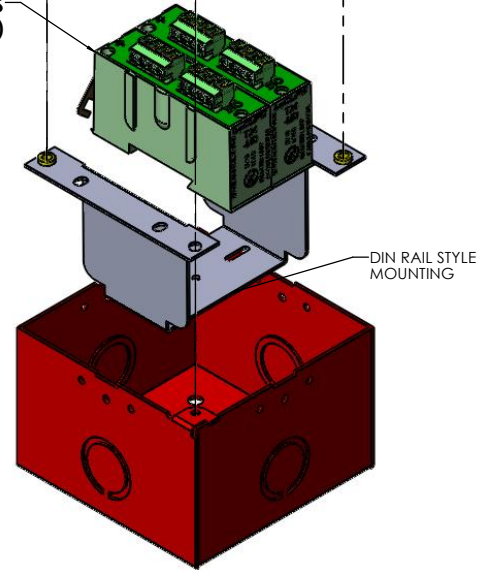
MATERIAL: 16 GA CRS
FINISH: SMOOTH RED POWDER
COAT FINISH



(4) RED 8-32 SCREWS SUPPLIED



ENCLOSURE WILL HOLD
(2) SURGE UNITS
(SOLD SEPARATELY)



DIN RAIL STYLE
MOUNTING

PROPRIETARY AND CONFIDENTIAL
SEE INFORMATION CONTAINED IN THIS
DRAWING FOR RESTRICTIONS ON REPRODUCTION
OR USE. THIS DRAWING IS THE PROPERTY OF
SPACE AGE ELECTRONICS, INC. A WHOLE
BUSINESS OF SPACE AGE ELECTRONICS &
ENGINEERING.

PROJECT:	EPIC478	UNLESS OTHERWISE SPECIFIED:	UNLESS OTHERWISE SPECIFIED:	DATE:	NAME:
SCALE:	1:1	DIMENSIONS ARE IN INCHES	DRAWN:	MMB	3/20/21
DRAWN/REV:	ENG	FINISHES ARE AS SHOWN	CHECKED:		
PART NO.:	SSJ0467	THREADS ARE 1/8\"/>			
		PROGRAM NO.:			
		REV. 1:			
		APPLICATOR:			

SPACE AGE ELECTRONICS, INC.
TITLE: FB4 SURGE BOX 4SQ
SCALE: 1:1 | WEIGHT: | SHEET 1 OF 1