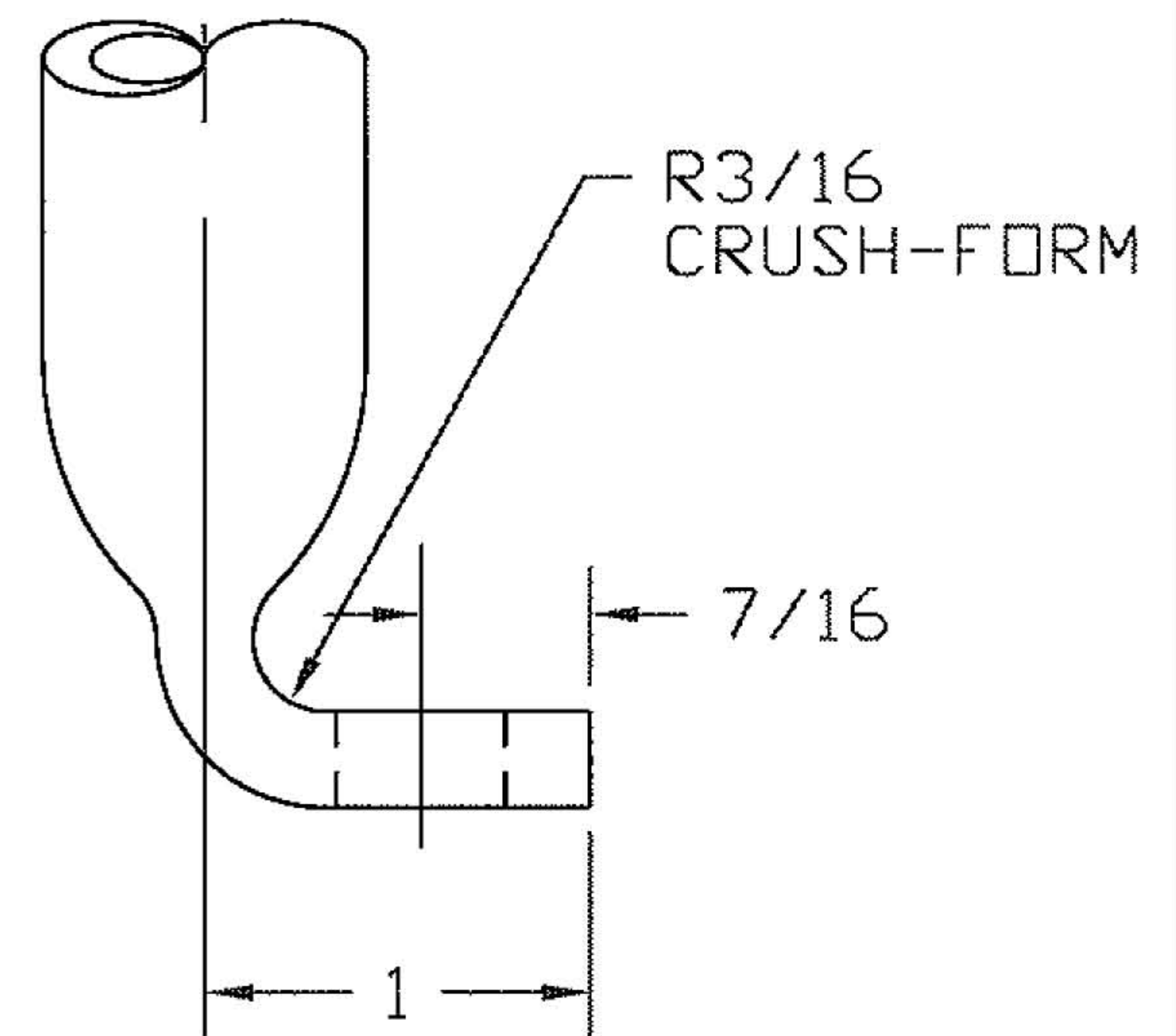


FULL SCALE
DETAIL



CHEMICAL CONTAINERS, INC. 800-346-7867

35 GAL. TANK BAND

SCALE

NS

ST6010