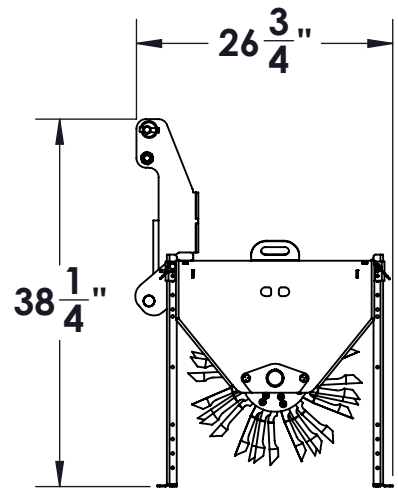
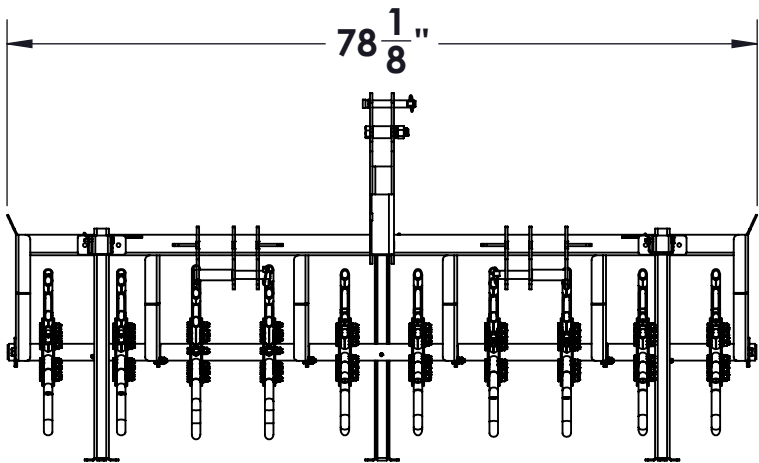


Homestead Implements Pinnacle Series Core Aerator

Technical Specification

Model Numbers	HPCORE-72
Total Weight	255 Lbs.
Recommended Horsepower	20 - 60 HP
3-Point Hitch Type	Cat. I & Cat. II (Quick-Hitch Compatible)
Working Width	71.00"
Overall Width	78.00"
Overall Length	26.85"
Overall Height	38.41"
Numbers of Spoons	80
Spoon Spacing	7.75"
Plug Size	1/2"



CUSTOMER APPROVAL :

DATE :



THIS DRAWING, WHICH CONTAINS PROPRIETARY INFORMATION, IS THE PROPERTY OF JAMESTOWN ADVANCED PRODUCTS CORPORATION. IT SHALL NOT BE REPRODUCED IN ANY MANNER NOR DISCLOSED TO THIRD PARTIES WITHOUT WRITTEN PERMISSION OF JAMESTOWN ADVANCED PRODUCTS CORPORATION.

DATE : **11/24/25**

PRODUCT PART NUMBER : **HPCORE-XX**

REV. NO.

PRODUCT DESCRIPTION :

PINNACLE CORE AERATOR

2855 GIRTS ROAD
JAMESTOWN, NY 14701