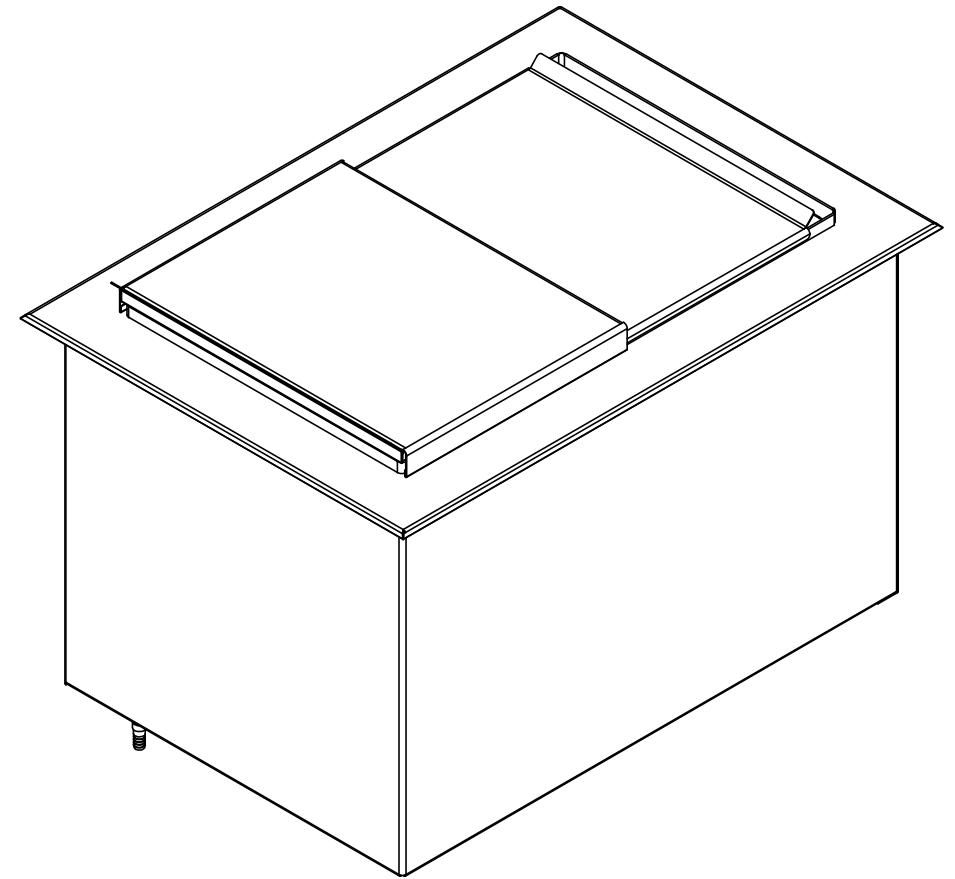
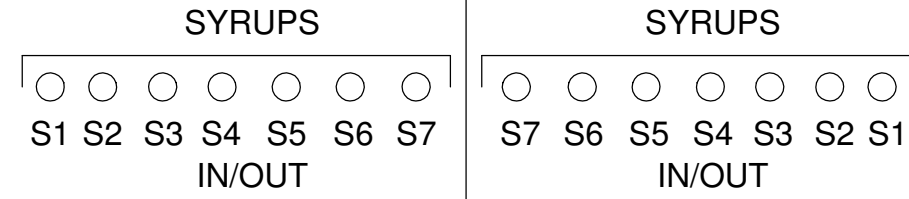



PLUMBING DIAGRAM



NOTES:

1. ICE CAPACITY: 60 lbs
2. ALL LINES ARE 5/16" ID, 304 S/S TUBE WITH 3/8" BARB ENDS
3. DRAIN CONNECTION: 3/4" BARB
4. SHIPPED WITH 6 FT DRAIN HOSE (NOT SHOWN) AND LID ASSEMBLY
5. LINE IN/OUT CAN BE LEFT OR RIGHT

MATERIAL	DRAWN	NAME	DATE	 3218 NORTHWESTERN DR. SAN ANTONIO, TX 78238	
FINISH	ENG APPR.	JRS			
DIMENSIONS ARE IN INCHES TOLERANCES: FRACTIONAL ± 1/64 ANGULAR: MACH ± 1/2° BEND ± TWO PLACE DECIMAL ± 0.015 THREE PLACE DECIMAL ± 0.005				PROPRIETARY AND CONFIDENTIAL THE INFORMATION CONTAINED IN THIS DRAWING IS THE SOLE PROPERTY OF TAPRITE-FASSCO MFG., INC. ANY REPRODUCTION IN PART OR AS A WHOLE WITHOUT THE WRITTEN PERMISSION OF TAPRITE-FASSCO MFG., INC. IS PROHIBITED.	TITLE: DROP IN 1522 CHEST W/7 CKT PRMX CP
SIZE		DWG. NO.		REV	
B		DI-1522-7_SALES		A	
SCALE: 1:6			DO NOT SCALE DRAWING	SHEET 1 OF 1	