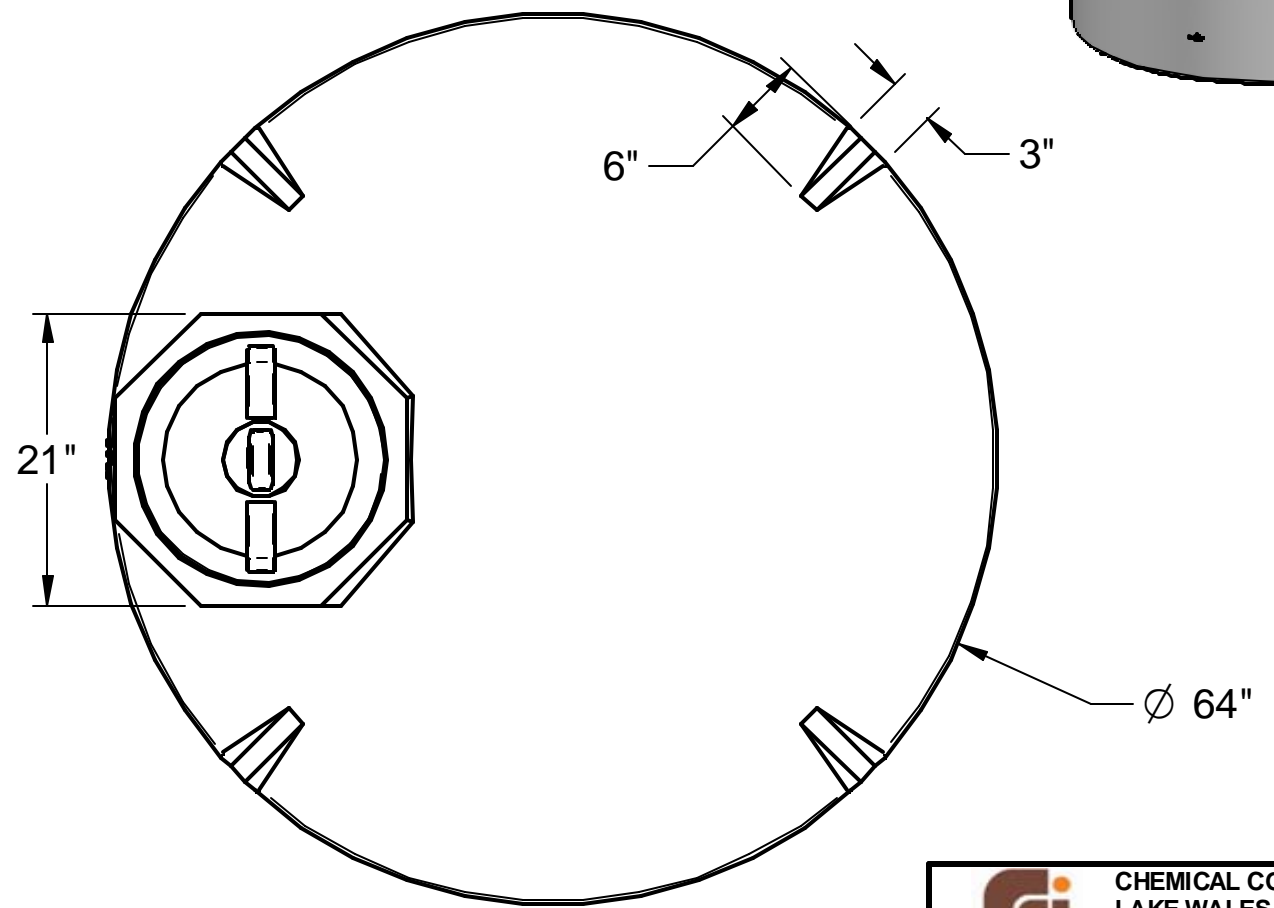
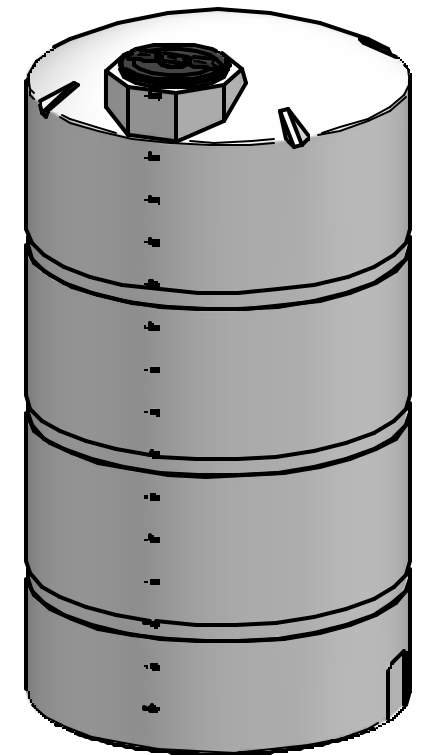
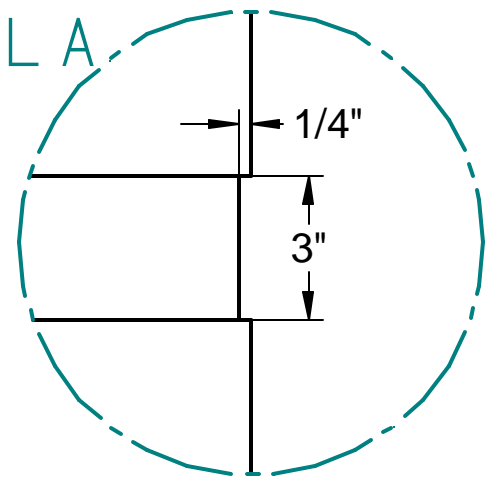



DETAIL A



 CHEMICAL CONTAINERS, INC. LAKE WALES, FLORIDA, 33859 TEL: 863-638-1407 FAX: 863-638-1863		
TITLE		
1500 GAL VERTICAL TANK		
SIZE	DWG NO	REV
B	T1104N	00
COMPONENT DRAWING		
SCALE: N.A.	LAYOUT SHEET	SHEET 1/1